



**Yi LiNG**

DONGGUAN CITY YILING ELECTRONIC TECHNOLOGY CO., LTD



## Features:

1. Multi-stage sensitivity adjustment switch
2. Convenient fixed delay function switch
3. Intuitive LED signal indicator

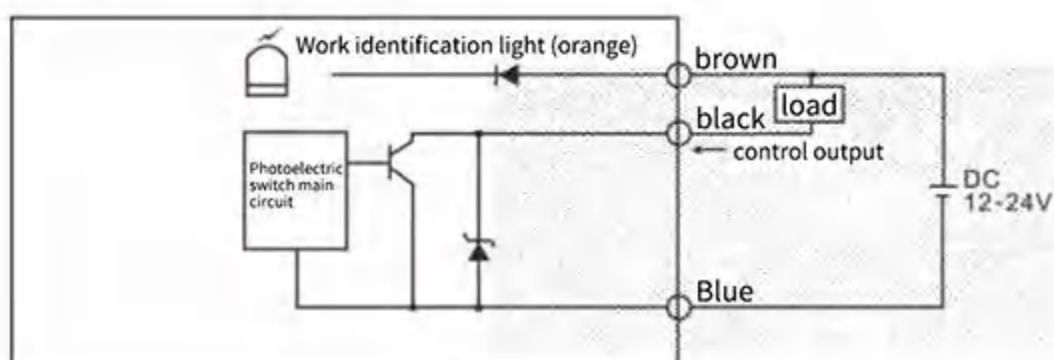


### Product Specification Sheet

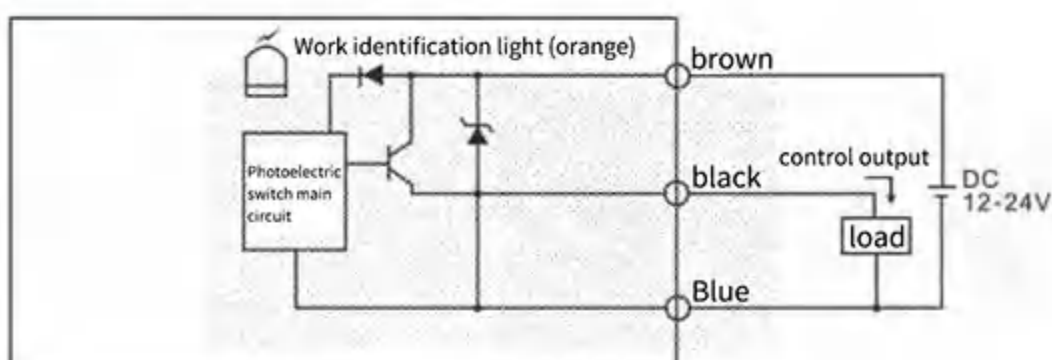
model	YL-FN11	YL-FN11P
	NPN output	PNP output
Light source LED	Red LED (wavelength 630nm)	
voltage	DC12~24V±10% pulsation (P-P) below 10%	
Power consumption current consumption	600mW or less (below 40mA)	
control input	Open collector output, load current below 50mA (residual voltage below 1V)	
Response time	Action ▪ Reset: each below 200us	
Delay function	OFF delay: 40ms (fixed)	
Sensitivity adjustment	Eight-segment rotary knob (with indicator)	
protection circuit	Power supply and output reverse connection protection, output overcurrent and short circuit protection	
Maximum detection distance	0---1000mm	
Working distance adjustment	Potentiometer, 8 segments	
Working temperature	During action: -25~+55°C (no water vapor condensation)	
	Storage: 35~85%RH (no water vapor condensation)	
Working environment humidity	During protection: -30~+70°C (no water vapor condensation)	

### Product wiring diagram

NPN



PNP



# Features

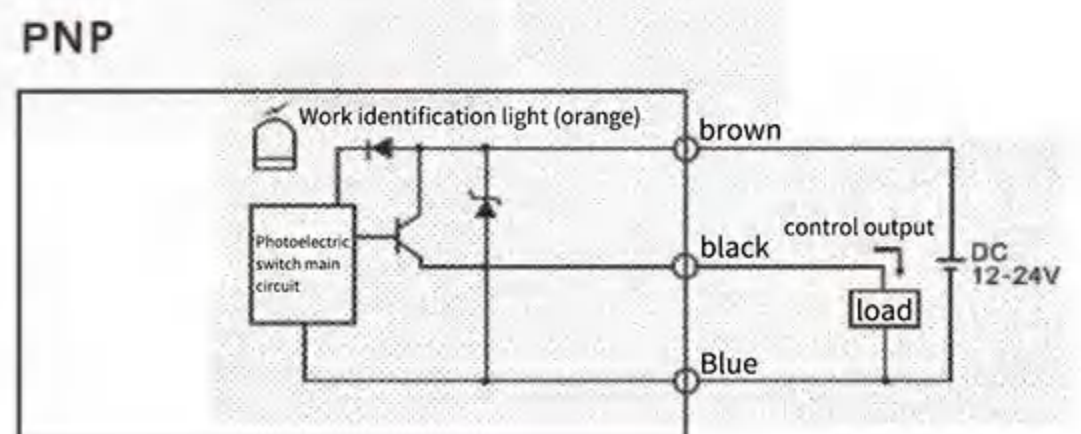
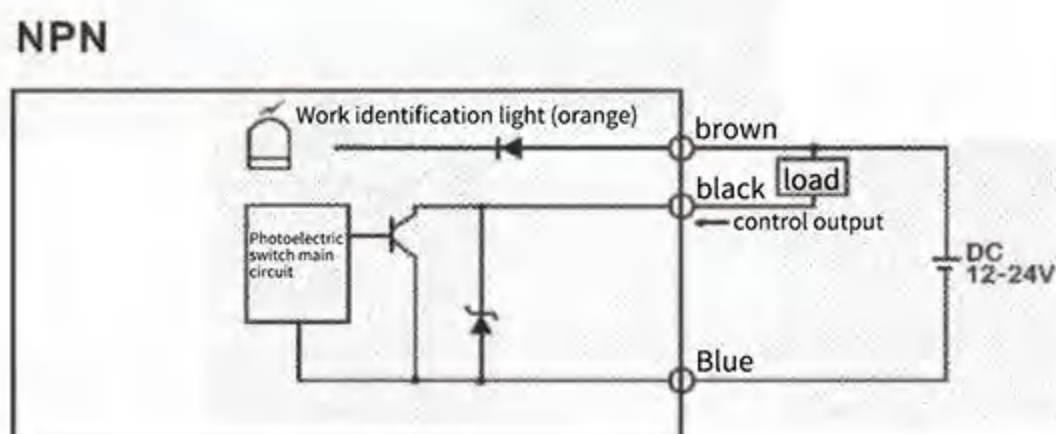
1. Adjustable sensitivity control without tools
2. Convenient fixed delay function switch
3. Super long detection distance



## Product Specification Sheet

model	YL-FN11-L	YL-FN11-LP
	NPN output	PNP output
Light source LED	Red LED (wavelength 630nm)	
voltage	DC12~24V10% pulsation (P-P) below 10%	
Power consumption current consumption	Below 600mW (below 40mA)	
control input	Open collector output, load current below 50mA (residual voltage below 1V)	
Response time	Action ▪ Reset: each below 200us	
Delay function	OFF delay: 40ms (fixed)	
Sensitivity adjustment	Eight-segment rotary knob (with indicator)	
protection circuit	Power supply and transmission counterattack protection, output overcurrent and short circuit protection	
Maximum detection distance	0---2000mm	
Working distance adjustment	Potentiometer, 8 segments	
Working temperature	During action: -25~+55°C (no water vapor condensation)	
	Storage: 35~85%RH (no water vapor condensation)	
Working environment humidity	Storage: -30~+70°C (without condensation)	

## Product wiring diagram



# Features

1. Applicable to different environmental function mode selection
2. Various delay function modes are optional
3. Four-digit digital display

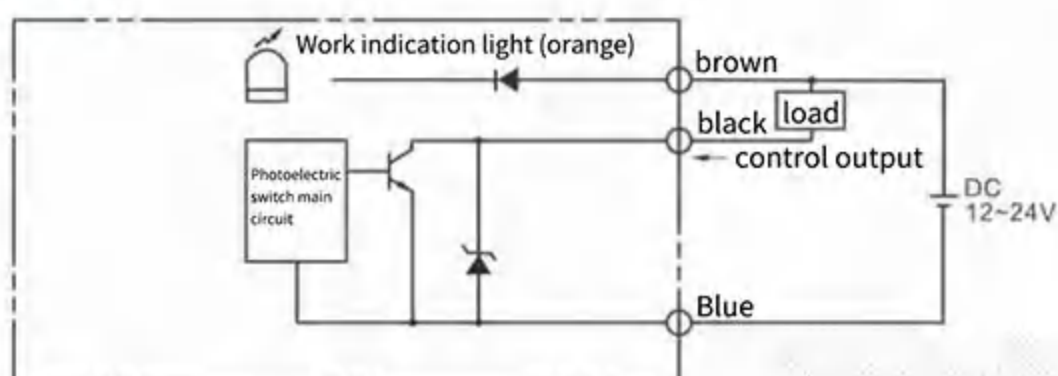


## Product Specification Sheet

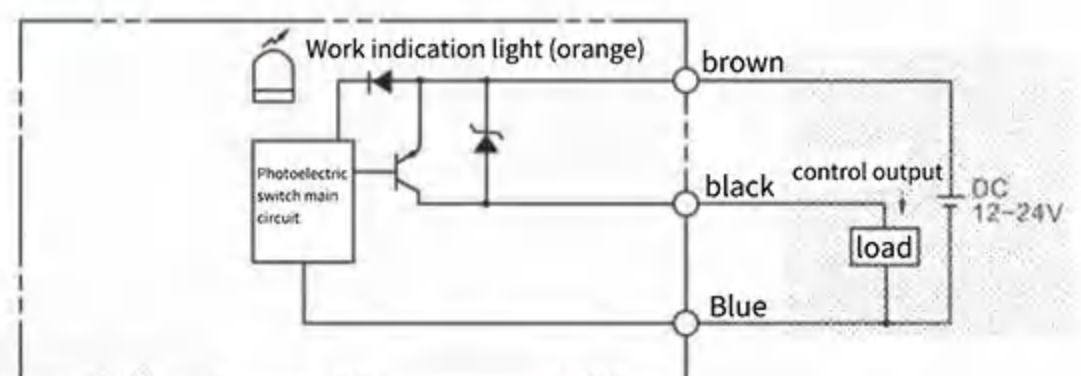
model	YL-FV11	YL-FV11P
	NPN output	PNP output
Types of	1 output port, lead-out type	
control output	1 output port	
light source	Red LED4 Element Light Emitting Diode Body	
Reaction time	200 μ s	
output selection	LIGHT-ON/DARK-ON (L/D toggle switch selection)	
show indicator	Operation indicator, red light-emitting diode, 4-digit display, current value (4-digit red light-emitting diode body indicator) lights up together. Current value range: 0-4092	
Detection method	brightness	
Delay function	Off-delay timer/on-delay timer (10ms/40ms) selectable	
control output	NPN/PNP open collector 24V, 100mA max (only for main unit) 20mA max (when extension unit is linked, residual voltage: 1V)	
power supply	Between 12 and 24VDC ±10%, floating ratio (P-P): 10% max. Class 2	
Working environment brightness	Incandescent: Max: 20,000lux, Daylight: Max: 30,000lux	
Power consumption	Standard Mode: Max 300mW Max Voltage: 24V	Standard Mode: Max 300mW Max Voltage: 24V
Vibration resistance	10 to 55Hz, double amplitude: 1.5mm, X, Y, Z axis is 2 hours each	
ambient temperature	-10 to +55°C, no freezing	

## Product wiring diagram

### NPN



### PNP



## Features

1. One-button setting parameter automatic memory
2. Eight-fold eight-digit digital tube display
3. No menu function, more economical and convenient to use

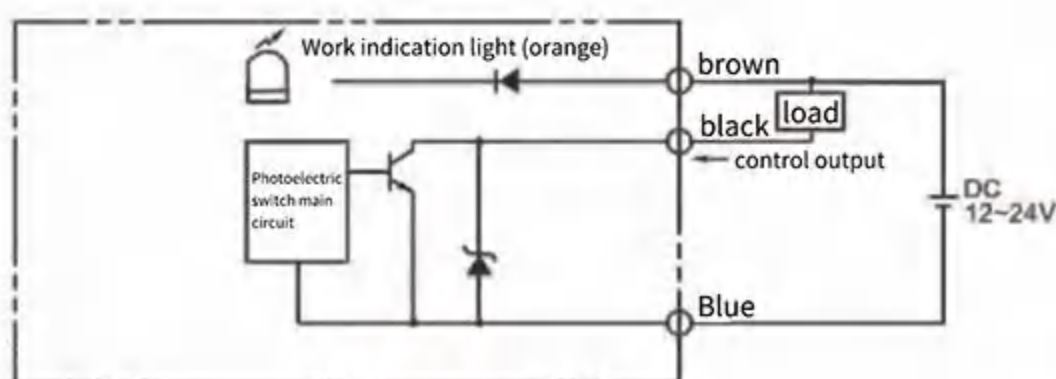


## Product Specification Sheet

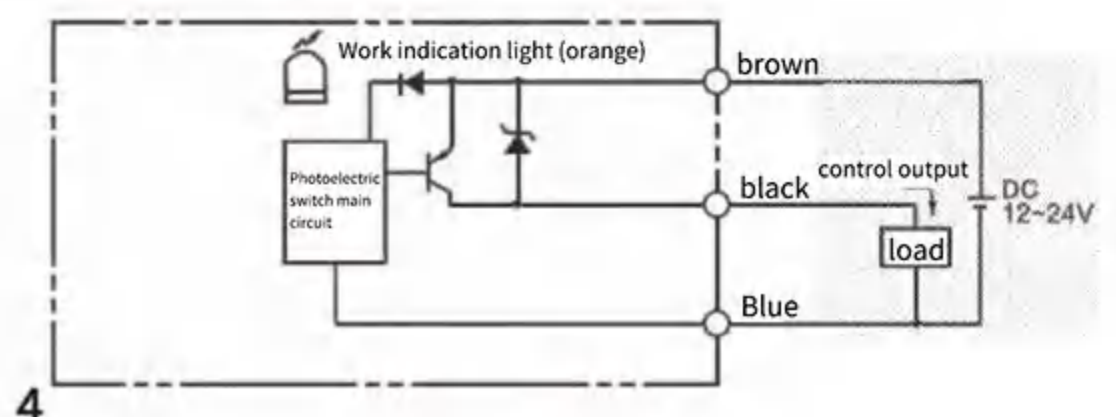
model	YL-FV62	YL-FV62P
	NPN output	PNP output
Types of	1 output port, lead-out type	
control output	1 output port	
light source	Red LED4 Element Light Emitting Diode Body	
Reaction time	200 μ s	
output selection	LIGHT-ON/DARK-ON (L/D toggle switch selection)	
show indicator	Operation indicator, red LED, 8-digit display, set value (4-digit green LED), and current value (4-digit red LED indicator) light up together. Current value range: 0-9999	
Detection method	brightness	
style function	/	
control output	NPN/PNP open collector 24V, 100mA max (main unit only) 20mA max (when extension unit is connected, residual voltage: 1V)	
power supply	Between 12 and 24VDC ±10%, floating ratio (P-P): 10% max. Class 2	
Working environment brightness		
Power consumption	Standard Mode: Max 300mW, Max Voltage: 24V	Standard Mode: Max 300mW, Max Voltage: 24V
Vibration resistance	10 to 55Hz, double amplitude: 1.5mm, X, Y, Z axis is 2 hours each	
ambient temperature	-10 to +55°C, no freezing	

## Product wiring diagram

### NPN



### PNP



## Features:

1. One-button setting parameter automatic memory
2. Double eight-digit digital tube display
3. Multi-function and multi-mode selection

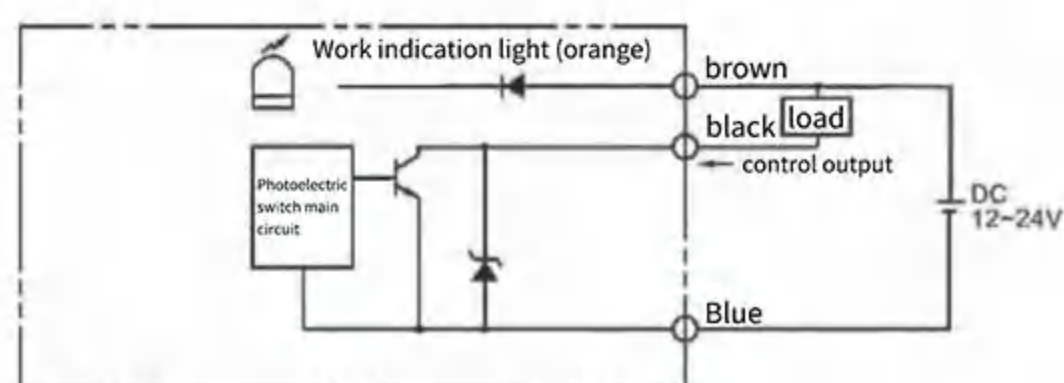


## Product Specification Sheet

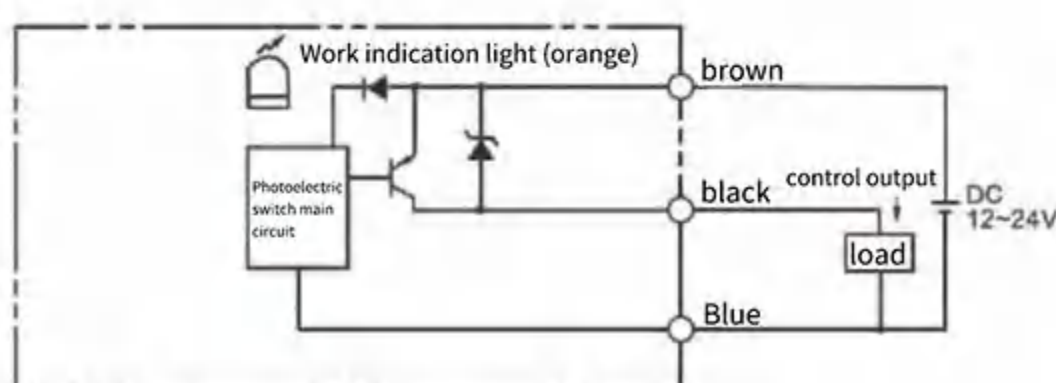
model	YL-N18	YL-N18P
	NPN output	PNP output
Types of	1 output port, lead-out type	
control output	1 output port	
light source	Red LED4 element light-emitting diode body	
Reaction time	P-1: 100 $\mu$ s    P-2: 200 $\mu$ s	
output selection	LIGHT-ON/DARK-ON (L/D toggle switch selection)	
show indicator	Operation indicator: red light-emitting diode, double digital monitor: double 8-digit display, threshold (4-digit green light-emitting twopole tube body indicator) and the current value (4-digit red LED body indicator) light up together. Current value range: 0-9999	
Detection method	Light intensity (with area detection function)	
Delay function	Off-delay timer/on-delay timer/unit timer/on-delay one-shot timer, selectable. Meter display in duration selectable: 1ms to 9999ms	
control output	NPN/PNP open collector 24V, 100mA max (only for main unit) 20mA max (when extension unit is connected, residual voltage: 1V)	
power supply	Between 12 and 24VDC $\pm$ 10%, float ratio (P-P) 10% max Class 2	
Working environment brightness	Incandescent: Max: 20,000lux, Daylight: Max: 30,000lux	
Power consumption	Standard Mode: Max 300mW, Max Voltage: 24V	Standard Mode: Max 300mW, Max Voltage: 24V
Vibration resistance	10 to 55Hz, double amplitude: 1.5mm, X, Y, Z axis is 2 hours each	
ambient temperature	-10 to +55 $^{\circ}$ C, no freezing	

## Product wiring diagram

### NPN



### PNP



## Features

1. One-button setting parameter automatic memory
2. Double eight-digit digital tube display
3. Multi-function and multi-mode selection

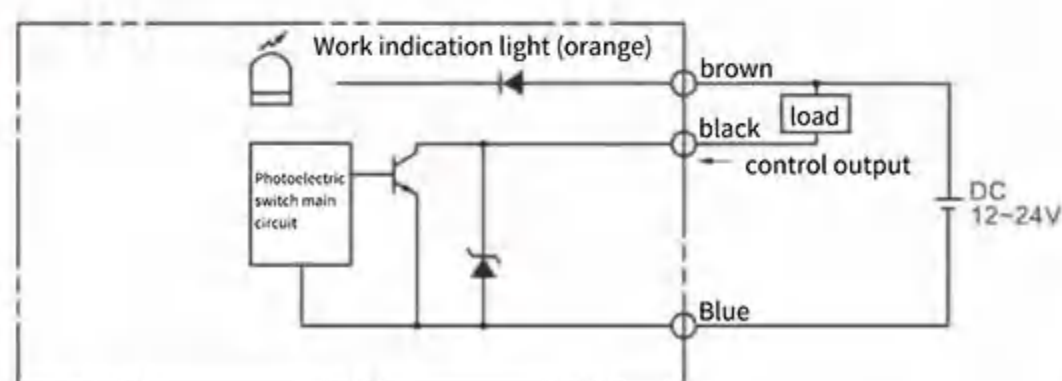


## Product Specification Sheet

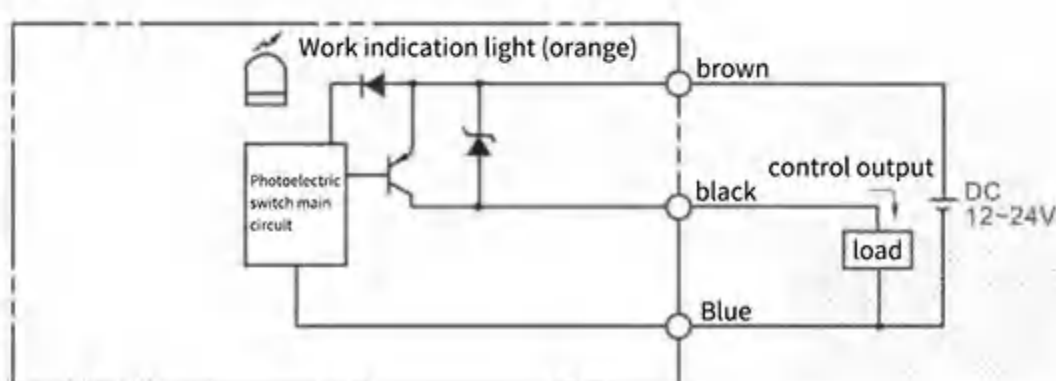
model	YL-V31M	YL-V31MP
	NPN output	PNP output
Types of	1 output port, lead-out type	
control output	1 output port	
light source	Red LED4 element light-emitting diode body	
Reaction time	SHSP: 10 $\mu$ S SUPR: 100 $\mu$ S	FINE: 50 $\mu$ S TERA: 400 $\mu$ S
output selection	LIGHT-ON/DARK-ON (L/D toggle switch selection)	
show indicator	Operation indicator: red light-emitting diode, dual digital monitor: dual 8-digit display, threshold (4-digit green light-emitting twopole tube body indicator) and the current value (4-digit red LED body indicator) light up together. Current value range: 0-9999	
Detection method	Light intensity (area detection possible, automatic sensitive tracking available)	
style function	Off-delay timer/on-delay timer/one-shot timer/on-delay one-shot timer, selectable. Meter display in duration selectable: 1ms to 9999ms	
control output	NPN/PNP open collector 24V, 100mA max (main unit only) 20mA max (when extension unit is connected, residual voltage: 1V)	
power supply	Between 12 and 24VDC $\pm$ 10%, floating ratio (P-P): 10% max. Class 2	
Working environment brightness	Incandescent: Max: 20,000lux, Daylight: Max: 30,000lux	
Power consumption	Standard Mode: Max 300mW, Max Voltage: 24V	Standard Mode: Max 300mW, Max Voltage: 24V
Vibration resistance	10 to 55Hz, double amplitude: 1.5mm, X, Y, Z axis is 2 hours each	
ambient temperature	-10 to +55 $^{\circ}$ C, no freezing	

## Product wiring diagram

### NPN



### PNP



**Features:**

1. Fast response time
2. Strong anti-environmental anti-interference ability

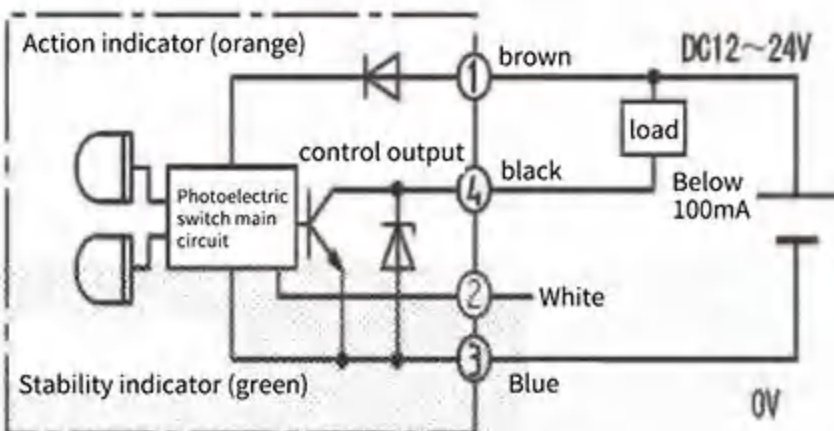


**Product Specification Sheet**

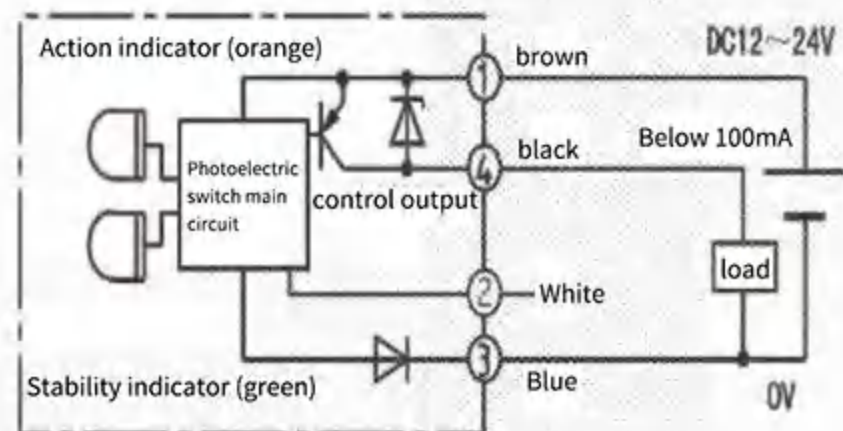
model	YL-D61	YL-D61P
	NPN output	PNP output
function	—————	
Detection method	Diffuse reflection type	
Light source (light emission wavelength)	Infrared LED (860nm)	
distance	Detection 20-300mm (white paper 100×100mm)	
Pointing Angle Projector Receiver	—————	
voltage	DC12~24V±10% Fluctuation (P-P) below 10%	
current consumption	Below 30mA	
control output	Load power supply voltage DC26.4V or less, load current less than 100mA, leakage current less than 10μA, open collector output (NPN/PNP)The output varies according to the type Switching type of ON when the white wire is not connected to light / ON when the white wire is connected to the blue wire when the light is blocked	
Output residual voltage	Residual voltage less than 1V (load current less than 10mA); residual voltage less than 2V (load current less than 10-100mA)	
Response time (including action, reset)	0.5ms or less	
ambient temperature	During operation: -25~+55°C, during storage: -40~+70°C (but no icing or condensation)	
ambient humidity	During operation: humidity 35~85%RH, during storage: humidity 35~95%RH (but no icing or condensation)	
protection structure	IEC60529 specification: IP67	
material	Housing: Polybutylene terephthalate (PBT) Display: Polyester rubber Lens: Polyester rubber	

**Product wiring diagram**

**NPN**



**PNP**





**Features:**

- 1. Fast response time
- 2. Strong anti-environmental anti-interference ability

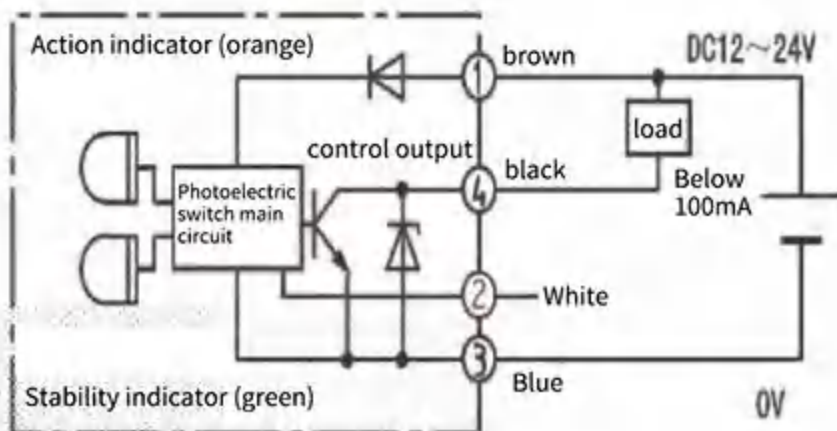


**Product Specification Sheet**

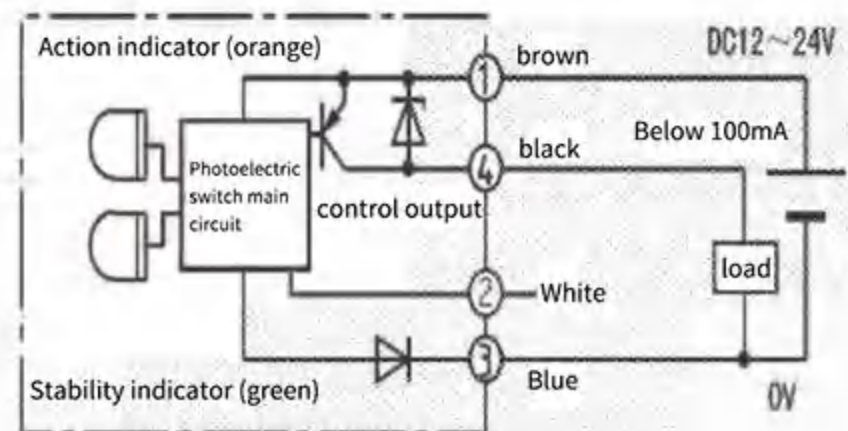
model	YL-D62	YL-D62P
	NPN output	PNP output
function	—————	
Detection method	diffuse reflectivity	
Light source (light emission wavelength)	Infrared LED (860nm)	
distance	Detection 20-500mm	
Pointing Angle Projector Receiver	—————	
voltage	DC12~24V±10% Fluctuation (P-P) below 10%	
current consumption	Below 30mA	
control output	Load power supply voltage DC26.4V or less, load current less than 100mA, leakage current less than 10μA, open collector output (NPN/PNP output according to The form varies) Switching type of ON when the white wire is not connected to the light / ON when the white wire is connected to the blue wire when the light is blocked	
Output residual voltage	Residual voltage less than 1V (load current less than 10mA) Residual voltage less than 2V (load current less than 10~100mA)	
Response time (including action, reset)	0.5ms or less	
ambient temperature	During operation: -25~+55°C, during storage: -40~+70°C (but no icing or condensation)	
ambient humidity	During operation: humidity 35~85%RH, during storage: humidity 35~95%RH (but no icing or condensation)	
protection structure	IEC60529 specification: IP67	
material	Housing: Polybutylene terephthalate (PBT) Display: Polyester rubber Lens: Polyester rubber	

**Product wiring diagram**

**NPN**



**PNP**



## Features:

1. Fast response time
2. Super strong anti-environmental interference ability

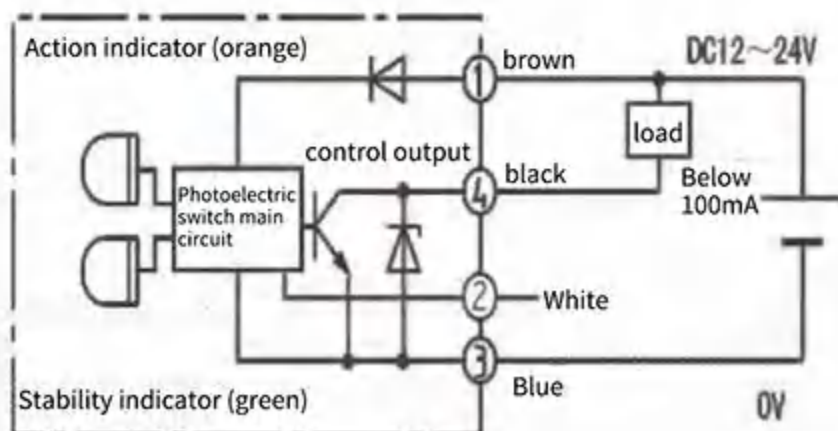


## Product Specification Sheet

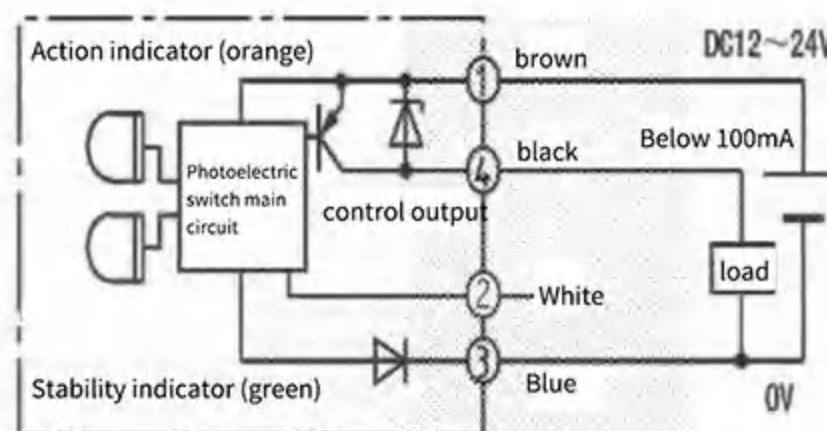
model	YL-T61	YL-T61P
	NPN output	PNP output
function	Infrared light source type	
Check out method	distance setting	
Light source (light emission wavelength)	Infrared LED (870nm)	
distance	Detection 3m	
Pointing Angle Projector Receiver	3~15°	
voltage	DC12~24V±10% Fluctuation (P-P) below 10%	
current consumption	Below 15mA	
control output	Load power supply voltage DC26.4V or less, load current less than 100mA, leakage current less than 10µA, open collector output (NPN/PNP output according toThe form varies) Switching type of ON when the white wire is not connected to the light / ON when the white wire is connected to the blue wire when the light is blocked	
Output residual voltage	Residual voltage less than 1V (load current less than 10mA); residual voltage less than 2V (load current less than 10~100mA)	
Response time (including action, reset)	0.5ms or less	
ambient temperature	During operation: -25~+55°C, during storage: -40~+70°C (but no icing or condensation)	
ambient humidity	During operation: humidity 35~85%RH, during storage: humidity 35~95%RH (but no icing or condensation)	
protective structure	IEC60529 specification: IP67	
material	Housing: Polybutylene terephthalate (PBT) Display: Polyester rubber, Lens: Polyester rubber	

## Product wiring diagram

### NPN

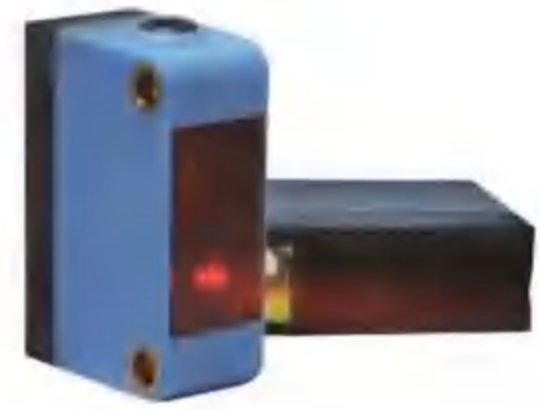


### PNP



## Features:

1. Fast response time
2. Strong anti-environmental anti-interference ability

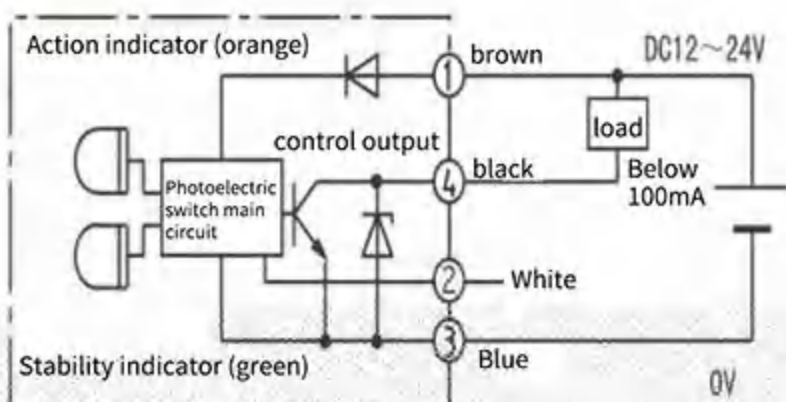


## Product Specification Sheet

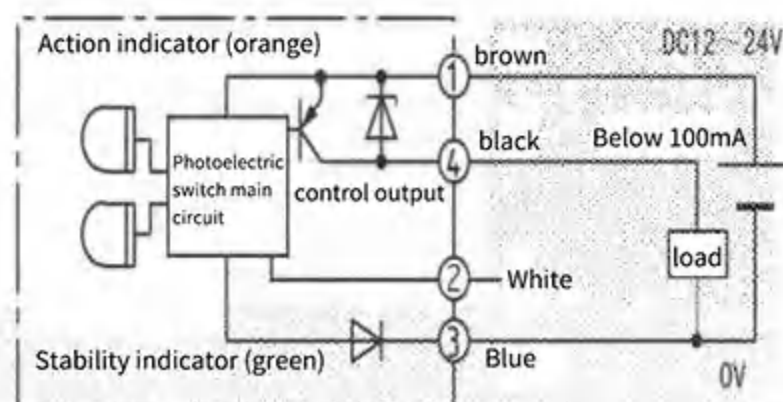
model	YL-R61	YL-R61P
	NPN output	PNP output
function	—	
Detection method	reflection of mirror	
Light source (light emission wavelength)	Infrared LED (660nm)	
distance	Detection 20-2000mm	
Pointing Angle Projector Receiver	2~10°	
voltage	DC12~24V±10% Fluctuation (P-P) below 10%	
current consumption	Below 20mA	
control output	Load power supply voltage DC26.4V or less, load current less than 100mA, leakage current less than 10µA, open collector output (NPN/PNP output Depending on the type) Switching type of ON when the white wire is not connected to the light / ON when the white wire is connected to the blue wire when the light is blocked	
Output residual voltage	Residual voltage less than 1V (load current less than 10mA) residual voltage less than 2V (load current less than 10~100mA)	
Response time (including action, reset)	0.5ms or less	
ambient temperature	During operation: -25~+55°C, during storage: -40~+70°C (but no icing or condensation)	
ambient humidity	During operation: humidity 35~85%RH, during storage: humidity 35~95%RH (but no icing or condensation)	
protective structure	IEC60529 specification: IP67	
material	Housing: Polybutylene terephthalate (PBT) Display: Polyester rubber Lens: Polyester rubber	

## Product wiring diagram

### NPN



### PNP



## Features:

1. Fast response time
2. Strong anti-environmental anti-interference ability

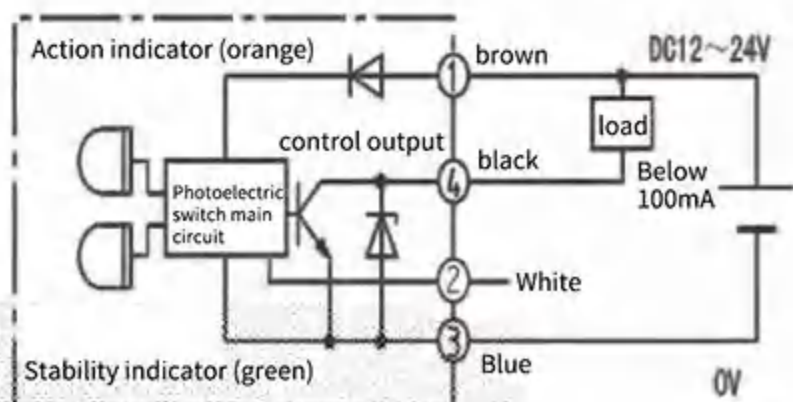


## Product Specification Sheet

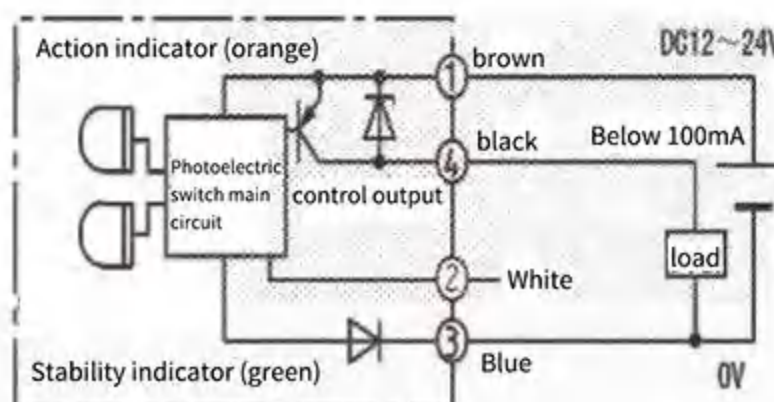
model	YL-R62	YL-R62P
	NPN output	PNP output
function	transparent bottle	
Detection method	transparent bottle	
Light source (light emission wavelength)	Infrared LED (660nm)	
distance	Detection 20-3000mm	
Pointing Angle Projector Receiver	2~10°	
voltage	DC12~24V±10% Fluctuation (P-P) below 10%	
current consumption	Below 20mA	
control output	Load power supply voltage DC26.4V or less, load current less than 100mA, leakage current less than 10μA, open collector output (NPN/PNP output Depending on the type) Switching type of ON when the white wire is not connected to the light / ON when the white wire is connected to the blue wire when the light is blocked	
Output residual voltage	Residual voltage less than 1V (load current less than 10mA); residual voltage less than 2V (load current less than 10~100mA)	
Response time (including action, reset)	0.5ms or less	
ambient temperature	During operation: -25~55°C, during storage: -40~+70°C (but no icing or condensation)	
ambient humidity	During operation: humidity 35~85%RH, during storage: humidity 35~95%RH (but no icing or condensation)	
protective structure	IEC60529 specification IP67	
material	Housing: Polybutylene terephthalate (PBT) Display: Polyester rubber Lens polyester rubber	

## Product wiring diagram

### NPN

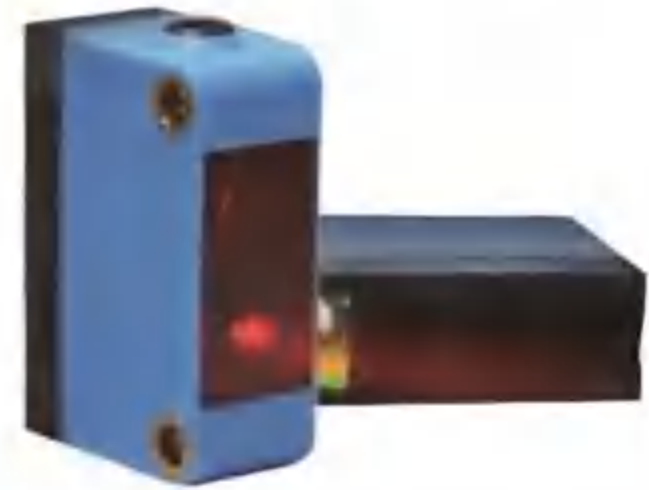


### PNP



## Features:

1. Fast response time
2. Strong anti-environmental anti-interference ability

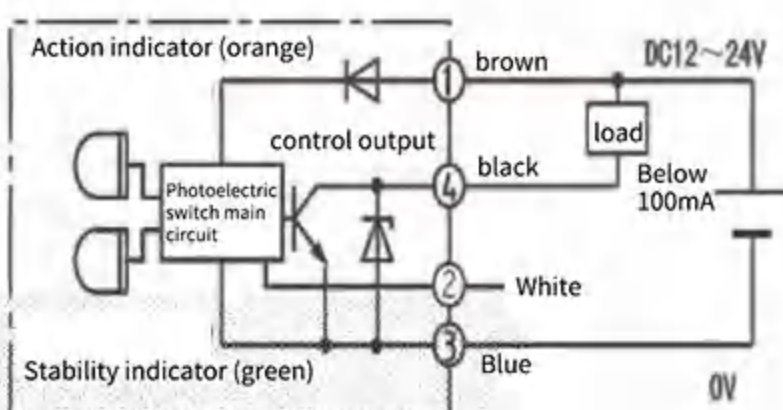


## Product Specification Sheet

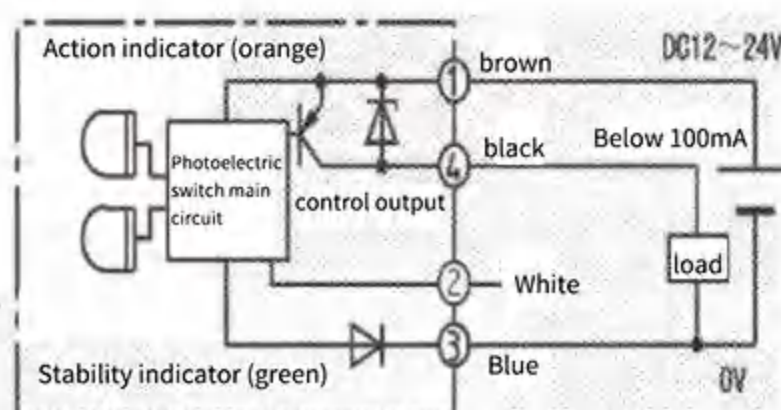
model		YL-LS61	YL-LS61P
		NPN output	PNP output
Set distance range		40~300mm (white drawing paper 10cm×10cm) 40~280mm (black drawing paper 10cm×10cm)	
Detection distance range	BGS	20mm~set distance (10cm×10cm)	
	FGS	Setting distance ~300mm (white drawing paper 10cm×10cm) setting distance ~270mm (black drawing paper 10cm×10cm)	
Light source (light emission wavelength)		Red light-emitting diode LED (680nm)	
voltage		DC12~24V±10% Fluctuation (P-P) below 10%	
current consumption		Below 30mA	
control output		The load power supply voltage is below DC26.4V, the load current is below 100mA, the leakage current is below 10μA, the open collector is brushed out (NPN/PNP output Depending on the type) Switching type of ON when the white wire is not connected to the light / ON when the white wire is connected to the blue wire when the light is blocked	
Sensitivity adjustment		The knob can be rotated up to 5 turns	
Response time (including action, reset)		0.5ms or less	
ambient temperature		During operation: -25~+55°C, during storage: -40~+70°C (but no icing or condensation)	
ambient humidity		During operation: humidity 35~85%RH, during storage: humidity 35~95%RH (but no icing or condensation)	
protective structure		IEC60529 specification: IP67	
material		Housing: Polybutylene terephthalate (PBT) Operation and lens housing: Polyester rubber	

## Product wiring diagram

### NPN



### PNP



## Features:

1. Fast response time
2. Strong anti-environmental anti-interference ability

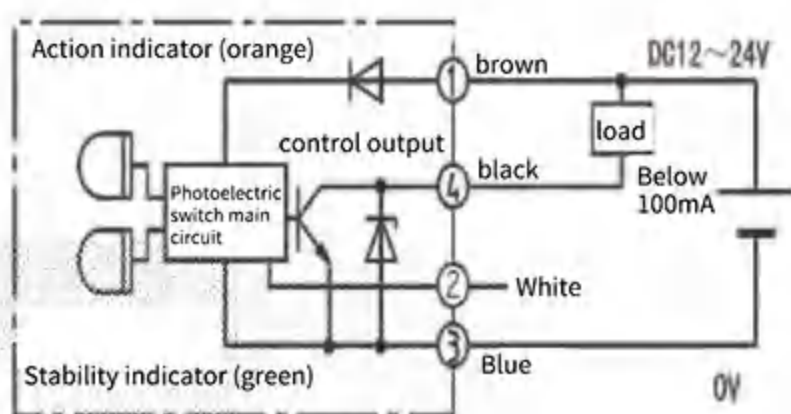


## Product Specification Sheet

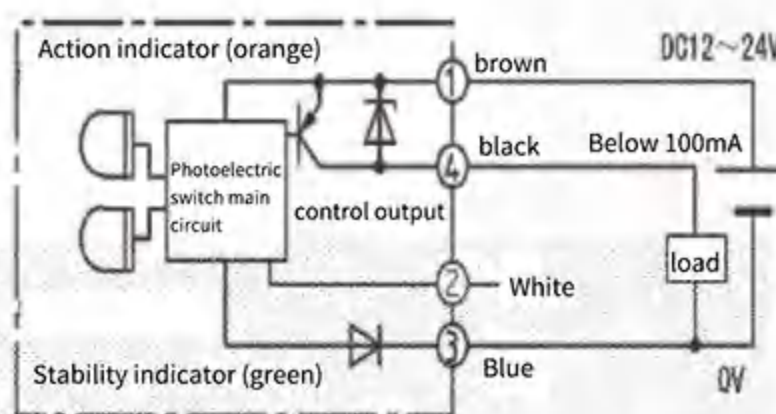
model	YL-LL61	YL-LL61P
	NPN output	PNP output
Detection distance	20~300mm (white paper 100mm), 20~290mm (black paper 100mm)	
Set distance range	40~300mm (white paper 100mm), 40~290mm (black paper 100mm)	
Hysteresis distance	3% or less of the rated detection distance	
Black and white error	3% (distance 160mm)	
Light source (light emission wavelength)	Red LD (655nm)	
	JIS/IEC CLASS1, FDA CLASS I below 4.5mW	
voltage	DC12~24V±10% Fluctuation (P-P) below 10%	
current consumption	Below 30mA	
control output	Load power supply voltage DC26.4V or less, load current less than 100mA, leakage current less than 10µA, open collector output (NPN/PNP output Depending on the type) Switching type of ON when the white wire is not connected to the light / ON when the white wire is connected to the blue wire when the light is blocked	
Output residual voltage	Residual voltage less than 1V (load current less than 10mA) residual voltage less than 2V (load current less than 10~100mA)	
protection circuit	Power supply reverse connection protection/load short circuit protection mutual interference prevention function/output reverse connection protection	
Response time	Action ▪ Reset: 0.5ms or less	
ambient temperature	During operation: -25~+55°C, during protection: -40~70°C (but no icing or condensation)	
Use ambient humidity	During operation: humidity 35~85%RH, during storage: humidity 35~95%RH (but no icing or condensation)	
protective structure	IEC60529 specification: IP67	
material	Housing: Polybutylene terephthalate (PBT) Display part: Polyester rubber Lens part: Polyester rubber	

## Product wiring diagram

### NPN



### PNP



## Features:

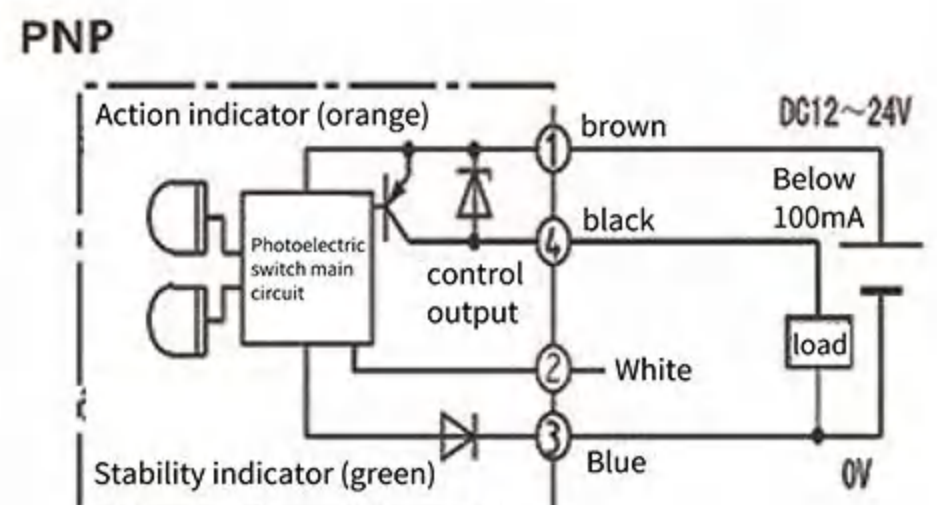
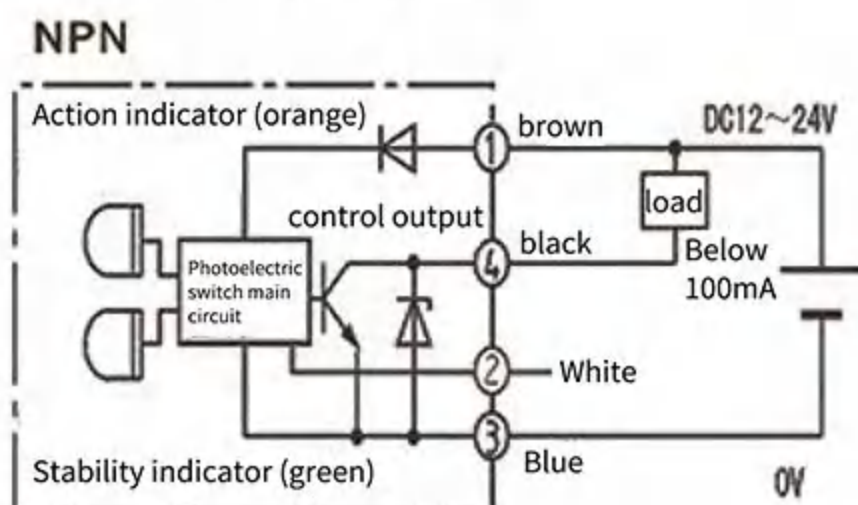
1. The operation mode has the switch selection of ON when shading and ON when receiving light.
2. The high-speed response frequency is 1KHZ.
3. The incoming light indicator is obviously easy to determine the action.



## Product Specification Sheet

model	YL-SX670-NW	YL-SX671-NW	YL-SX672-NW	YL-SX673-NW
	YL-SX670-PW	YL-SX671-PW	YL-SX672-PW	YL-SX673-PW
output mode	NPN L. on/D. on	NPN L. on/D. on	NPN L. on/D. on	NPN L. on/D. on
	PNP L. on/D. on	PNP L. on/D. on	PNP L. on/D. on	PNP L. on/D. on
Detection distance	6mm			
light source	Infrared LED			
Operating Voltage	DC 5-24V			
current consumption	15mA			
load current	Max 100mA DC 24V			
Reaction time	Fastest 0.5ms			
Use ambient light	Light-receiving surface illumination Fluorescent lamp below 1000LUX			
ambient temperature	0-60			
environment humidity	35-85%			
shell material	ABS			
Way out	Lead-out four-core			

## Product wiring diagram



## Features:

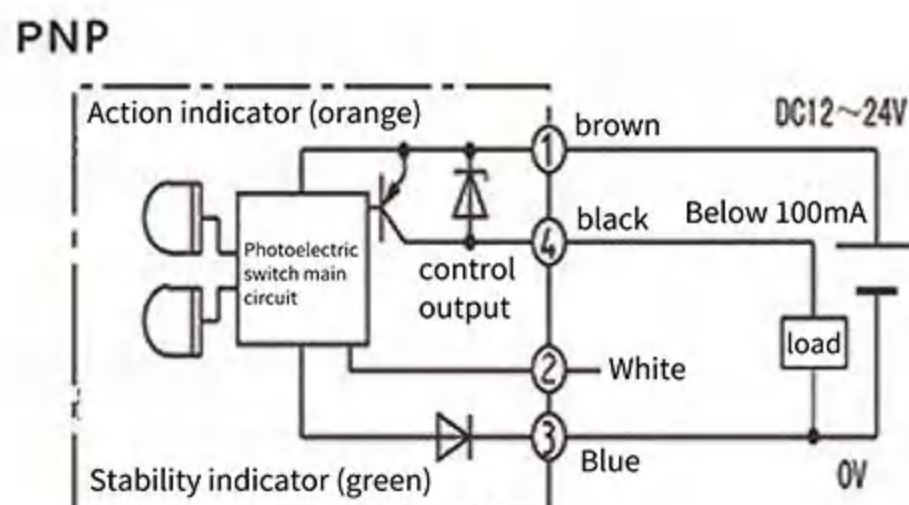
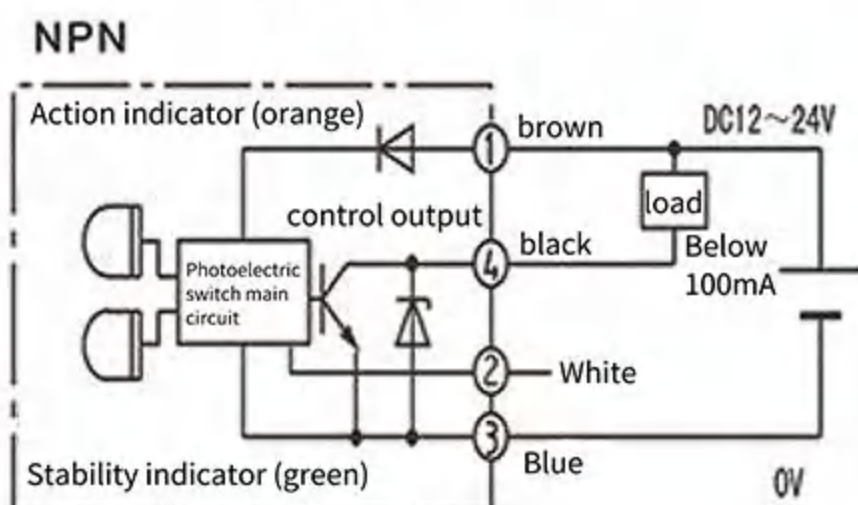
1. The operation mode has the switch selection of ON when shading and ON when receiving light.
2. The high-speed response frequency is 1KHZ.
3. The incoming light indicator is obviously easy to determine the action.



## Product Specification Sheet

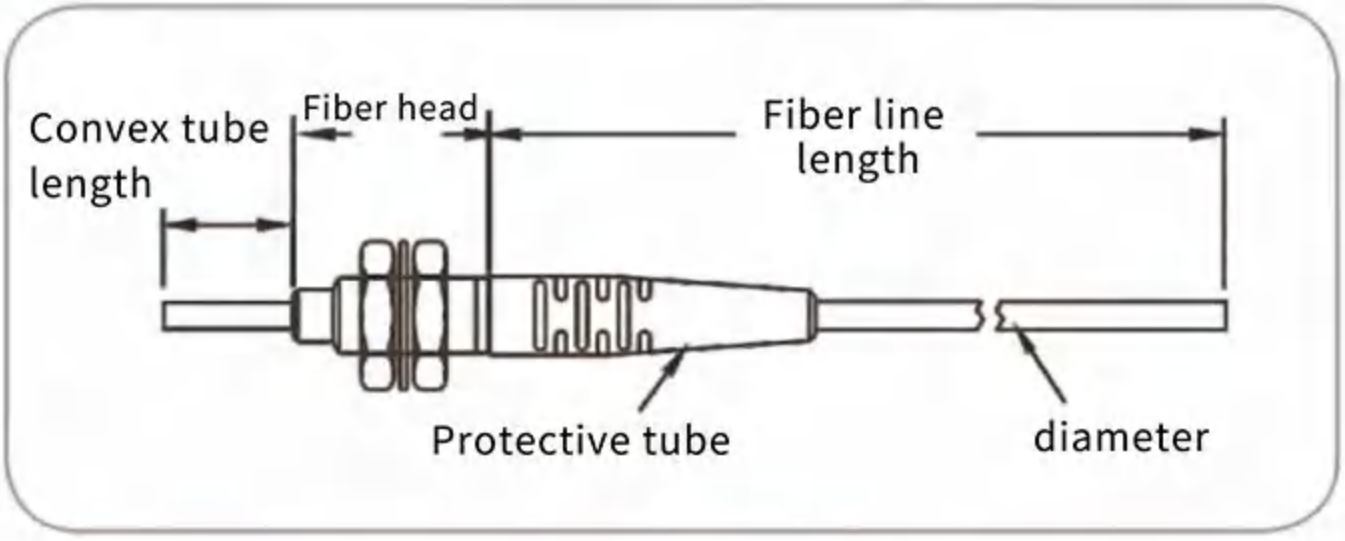
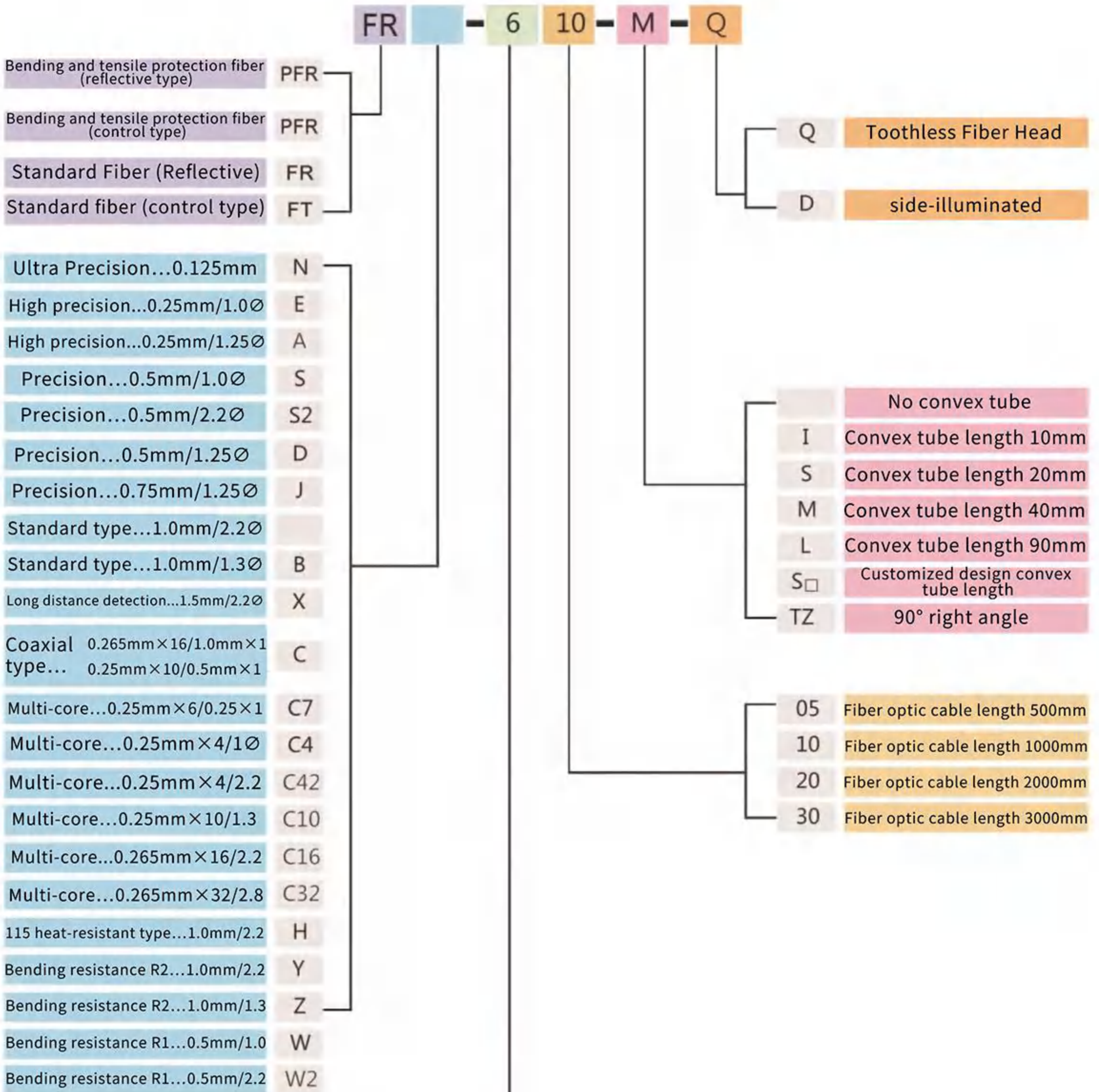
model	YL-SX674-NW	YL-SX675-NW	YL-SX676-NW	YL-SX677-NW
	YL-SX674-PW	YL-SX675-PW	YL-SX676-PW	YL-SX677-PW
output mode	NPN L. on/D. on	NPN L. on/D. on	NPN L. on/D. on	NPN L. on/D. on
	PNP L. on/D. on	PNP L. on/D. on	PNP L. on/D. on	PNP L. on/D. on
Detection distance	6mm			
light source	Infrared LED			
Operating Voltage	DC 5-24V			
current consumption	15mA			
load current	Max 100mA DC 24V			
Reaction time	Fastest 0.5ms			
Use ambient light	Light-receiving surface illumination Fluorescent lamp below 1000LUX			
ambient temperature	0-60			
environment humidity	35-85%			
shell material	ABS			
Way out	Lead-out four-core			

## Product wiring diagram





◆ Order Index:

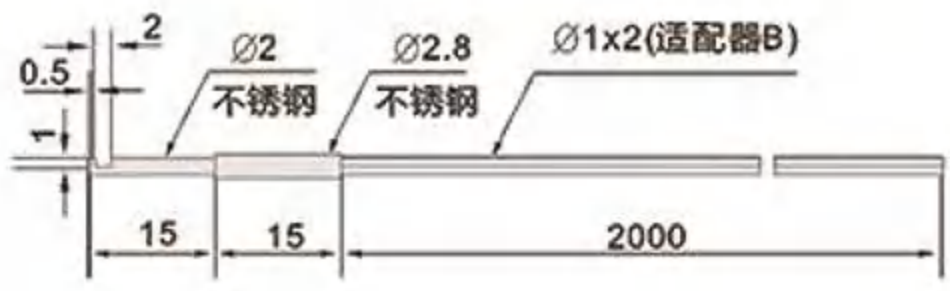
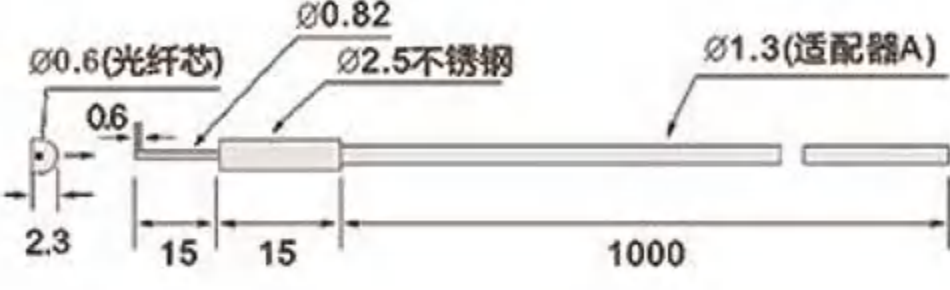
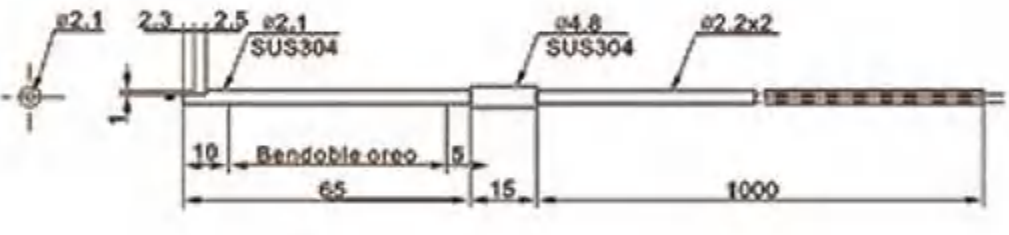
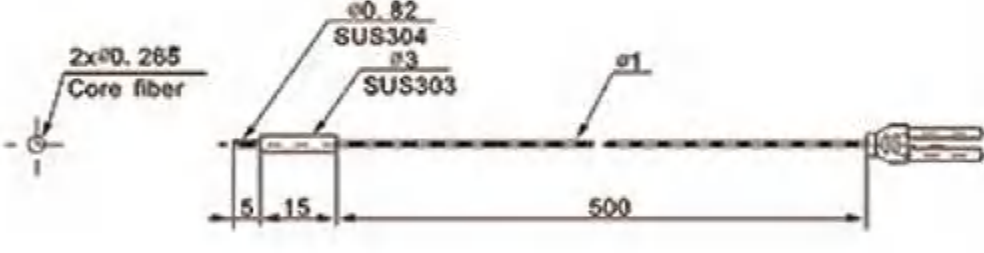
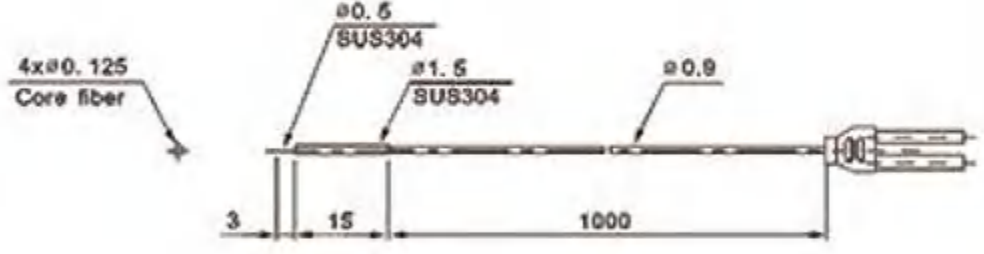
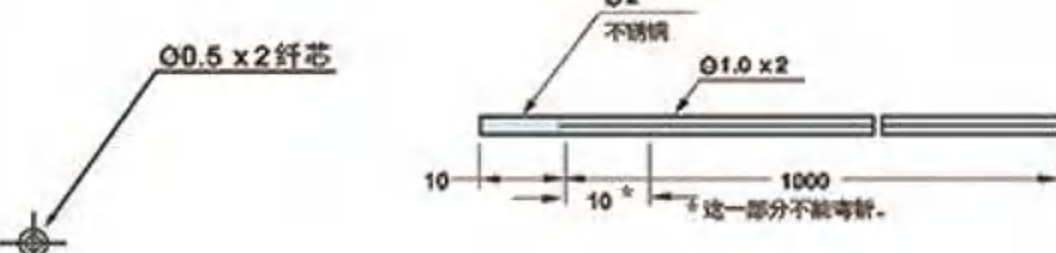
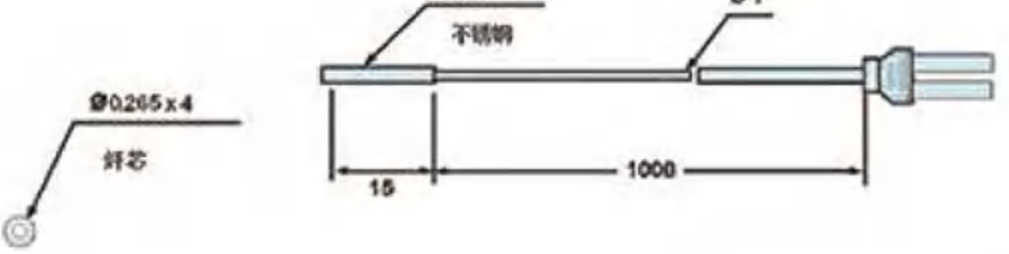


Type	model	size	Specification
M6 Reflective	YL-FR-610		Fiber outer diameter=Ø 2.2mm Fiber inner diameter=Ø 1.0mm Working temperature: -55°C~+70°C Minimum bending radius: R25
	YL-FR-610-I/S/M/L	<p>I=10mm S=20mm M=40mm L=90mm fiber core</p>	Fiber outer diameter=Ø 2.2mm Fiber inner diameter=Ø 1.0mm Working temperature: -55°C~+70°C Minimum bending radius: R25
	YL-FRC-610		Fiber outer diameter=Ø 2.2mm Fiber inner diameter=Ø 1.0*1/0.25*16 Working temperature: -55°C~+70°C Minimum bending radius: R25
	YL-PRC-610-I/S/M/L	<p>I=10mm S=20mm M=40mm L=90mm coaxial fiber</p>	Fiber outer diameter=Ø 2.2mm Fiber inner diameter=Ø 1.0*1/0.25*16 Working temperature: -55°C~+70°C Minimum bending radius: R25
M6 Through-beam	YL-FT-610		Fiber outer diameter=Ø 2.2mm Fiber inner diameter=Ø 1.0mm Working temperature: -55°C~+70°C Minimum bending radius: R25
	YL-FT-610-I/S/M/L	<p>I=10mm S=20mm M=40mm L=90mm core</p>	Fiber outer diameter=Ø 2.2mm Fiber inner diameter=Ø 1.0mm Working temperature: -55°C~+70°C Minimum bending radius: R25
M6 Right Angle Reflective	YL-FT-610TZ		Fiber outer diameter=Ø 2.2mm Fiber inner diameter=Ø 1.0mm Working temperature: -55°C~+70°C Minimum bending radius: R25


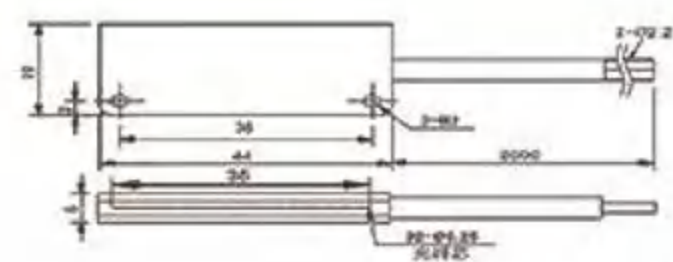

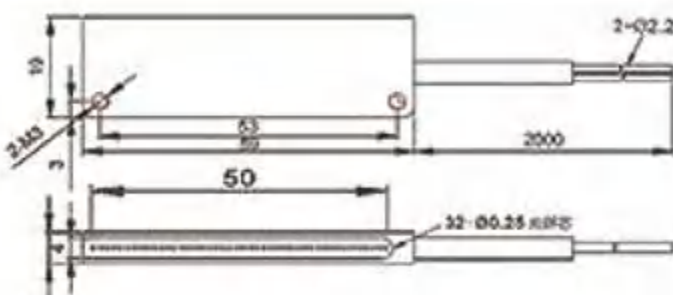

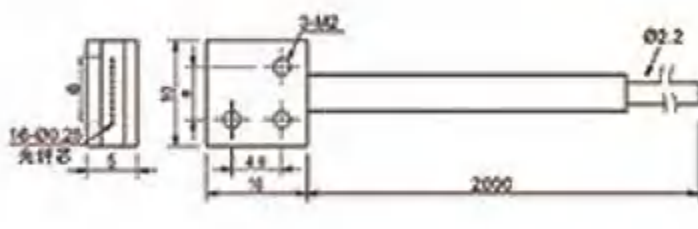

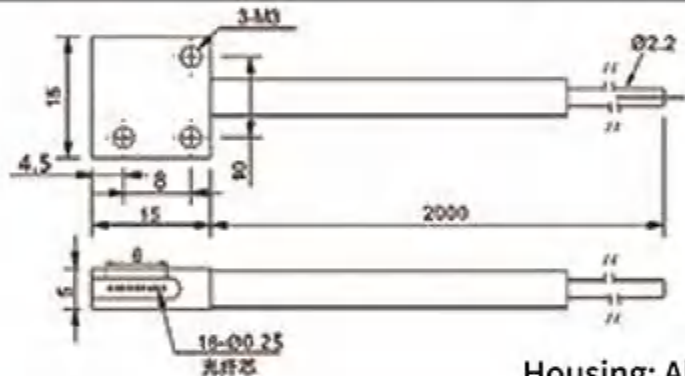

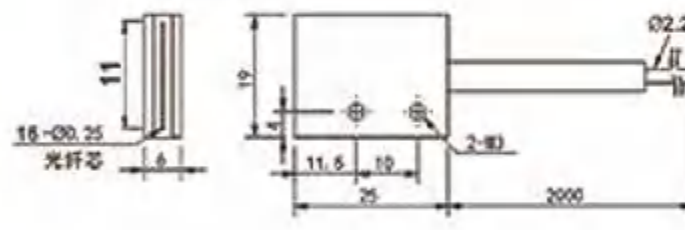

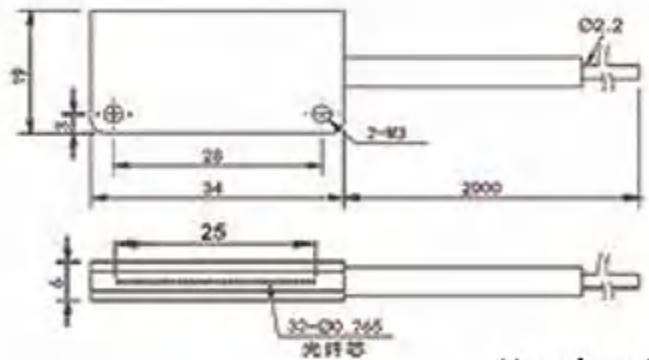

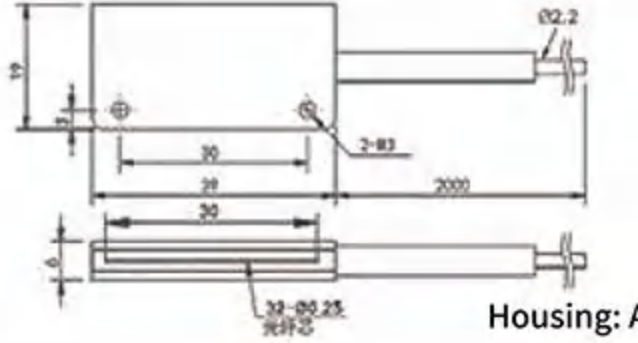
Type	model	size	Specification
M4 Reflective	YL-FR-410		Fiber outer diameter=Ø 1.0mm Fiber inner diameter=Ø 0.5mm Working temperature: -55°C~+70°C Minimum bending radius: R15
	YL-FR-410-I/S/M/L		Fiber outer diameter=Ø 1.0mm Fiber inner diameter=Ø 0.5mm Working temperature: -55°C~+70°C Minimum bending radius: R15
	YL-FRC-410		Fiber outer diameter=Ø 1.3mm Fiber inner diameter=Ø 0.5*1mm/0.25*9 Working temperature: -55°C~+70°C Minimum bending radius: R15
	YL-PRC-410-I/S/M/L		Fiber outer diameter=Ø 1.3mm Fiber inner diameter=Ø 0.5*1mm/0.25*9 Working temperature: -55°C~+70°C Minimum bending radius: R15
M4 Through-beam	YL-FT-410		Fiber outer diameter=Ø 2.2mm Fiber inner diameter=Ø 1.0mm Working temperature: -55°C~+70°C Minimum bending radius: R25
	YL-FT-410-I/S/M/L		Fiber outer diameter=Ø 2.2mm Fiber inner diameter=Ø 1.0mm Working temperature: -55°C~+70°C Minimum bending radius: R25
M4 Right angle beam	YL-FTC-410TZ		Fiber outer diameter=Ø 2.2mm Fiber inner diameter=Ø 0.25mm*16 Working temperature: -55°C~+70°C Minimum bending radius: R25

Type	model	size	Specification
M4 Reflective	YL-FRG-410TZ		Fiber outer diameter=Ø 1.3mm Fiber inner diameter=Ø 0.5mm*1 0.25*9 Working temperature: -55°C~+70°C Minimum bending radius: R15
	YL-FR-310		Fiber outer diameter=Ø 1.0mm Fiber inner diameter=Ø 0.5mm Working temperature: -55°C~+70°C Minimum bending radius: R15
M3 Reflective	YL-FR-310Q		Fiber outer diameter=Ø 1.0mm Fiber inner diameter=Ø 0.5mm Working temperature: -55°C~+70°C Minimum bending radius: R15
	YL-FR-310-I/S/M/L		Fiber outer diameter=Ø 1.0mm Fiber inner diameter=Ø 0.5mm Working temperature: -55°C~+70°C Minimum bending radius: R15
	YL-FRE-310		Fiber outer diameter=Ø 1.0mm Fiber inner diameter=Ø 0.25mm Working temperature: -55°C~+70°C Minimum bending radius: R10
	YL-FRE-310-I/S/M/L		Fiber outer diameter=Ø 1.0mm Fiber inner diameter=Ø 0.25mm Working temperature: -55°C~+70°C Minimum bending radius: R10
	YL-FRE-310-I/S/M/LQ		Fiber outer diameter=Ø 1.0mm Fiber inner diameter=Ø 0.25mm Working temperature: -55°C~+70°C Minimum bending radius: R15


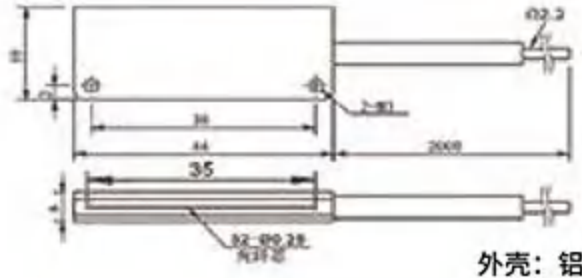

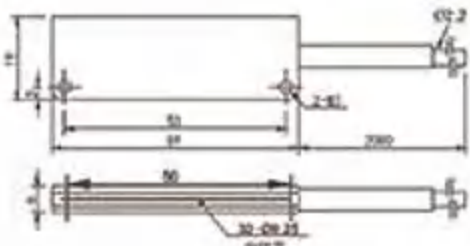

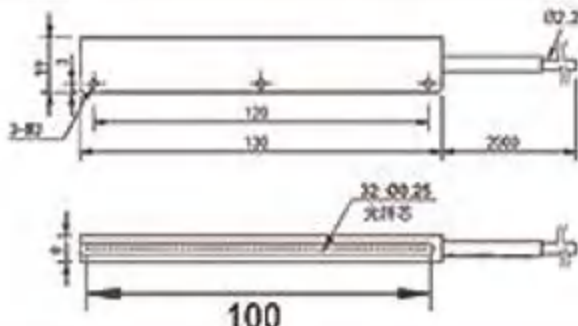

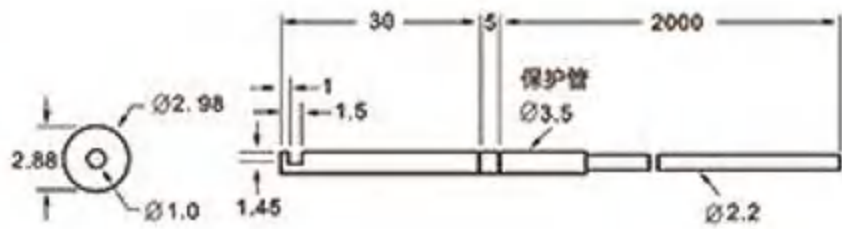

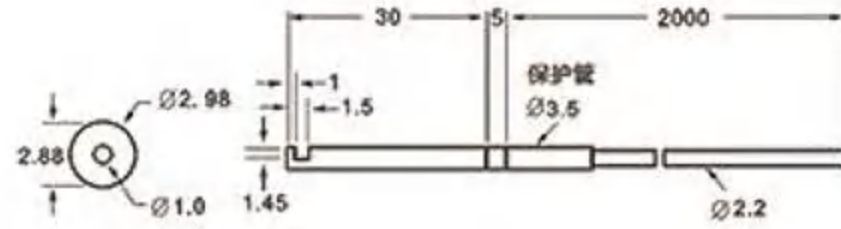

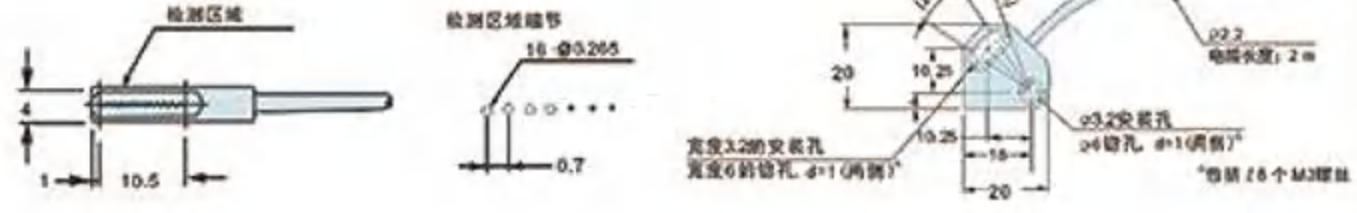

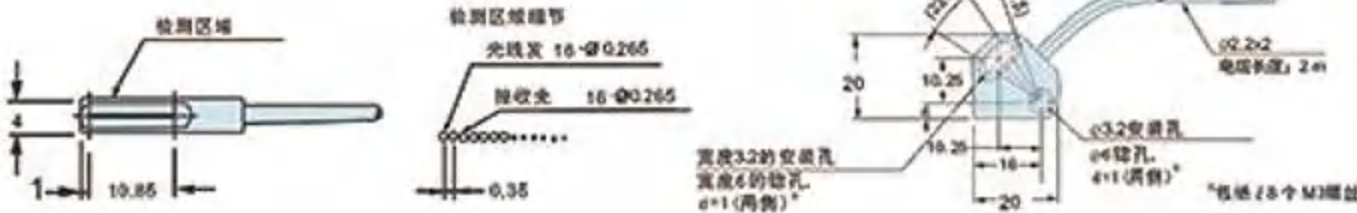
Type	model	size	Specification
Reflective	YL-FRC-310		Fiber outer diameter=Ø 1.0mm Fiber inner diameter=Ø 0.5mm*1/0.25mm*9 Working temperature: -55°C~+70°C Minimum bending radius: R15
	YL-FRC-310-I/S/M/L		Fiber outer diameter=Ø 1.0mm Fiber inner diameter=Ø 0.5mm*1/0.25mm*9 Working temperature: -55°C~+70°C Minimum bending radius: R15
Through-beam	YL-FT-310		Fiber outer diameter=Ø 2.2mm Fiber inner diameter=Ø 1.0mm Working temperature: -55°C~+70°C Minimum bending radius: R25
	YL-FT-310-I/S/M/L		Fiber outer diameter=Ø 2.2mm Fiber inner diameter=Ø 1.0mm Working temperature: -55°C~+70°C Minimum bending radius: R25
Reflective	YL-FTC-310TZ		Fiber outer diameter=Ø 2.2mm Fiber inner diameter=Ø 0.25mm*16 Working temperature: -55°C~+70°C Minimum bending radius: R25
	YL-FC-310TZ		Fiber outer diameter=Ø 1.3mm Fiber inner diameter=Ø 0.5mm*1/0.25mm*9 Working temperature: -55°C~+70°C Minimum bending radius: R15
Reflective	YL-FU-40X		Fiber outer diameter=Ø 2.2mm Fiber inner diameter=Ø 1.0mm Working temperature: -55°C~+70°C Minimum bending radius: R35

Type	model	size	Specification
side view	YL-FU-31D		Fiber outer diameter=Ø 1.3mm Fiber inner diameter=Ø 0.5mm Working temperature: -55°C~+70°C Minimum bending radius: R15
	YL-FU-32D		Fiber outer diameter=Ø 1.3mm Fiber inner diameter=Ø 0.5mm Working temperature: -55°C~+70°C Minimum bending radius: R15
	YL-FU-33D		Fiber outer diameter=Ø 1.3mm Fiber inner diameter=Ø 0.5mm Working temperature: -55°C~+70°C Minimum bending radius: R15
top view	YL-FU-45X		Fiber outer diameter=Ø 1.0mm Fiber inner diameter=Ø 0.25mm Working temperature: -55°C~+70°C Minimum bending radius: R15
	YL-FU-46		Fiber outer diameter=Ø 1.0mm Fiber inner diameter=Ø 0.125mm Working temperature: -55°C~+70°C Minimum bending radius: R15
Reflective	YL-FU-49		Fiber outer diameter=Ø 1.0mm Fiber inner diameter=Ø 0.5mm Working temperature: -55°C~+70°C Minimum bending radius: R15
	YL-FU-49X		Fiber outer diameter=Ø 1.0mm Fiber inner diameter=Ø 0.265mm Working temperature: -55°C~+70°C Minimum bending radius: R15

Type	model	size	Specification
rectangular fiber Reflective	YL-FR-10ML	<p>Housing: Aluminum</p>	Fiber outer diameter=Ø 1.3mm Fiber inner diameter=Ø 0.25mm Working temperature: -55°C~+70°C Minimum bending radius: R15
	YL-FR-15MLD	<p>Housing: Aluminum</p>	Fiber outer diameter=Ø 1.3mm Fiber inner diameter=Ø 0.25mm Working temperature: -55°C~+70°C Minimum bending radius: R15
	YL-FR-20MLS	<p>Housing: Aluminum</p>	Fiber outer diameter=Ø 2.2mm Fiber inner diameter=Ø 0.25mm Working temperature: -55°C~+70°C Minimum bending radius: R25
	YL-FR-20MLD	<p>Housing: Aluminum</p>	Fiber outer diameter=Ø 2.2mm Fiber inner diameter=Ø 0.25mm Working temperature: -55°C~+70°C Minimum bending radius: R25
	YL-FR-20ML	<p>Housing: Aluminum</p>	Fiber outer diameter=Ø 2.2mm Fiber inner diameter=Ø 0.25mm Working temperature: -55°C~+70°C Minimum bending radius: R25
	YL-FR-25MLD	<p>Housing: Aluminum</p>	Fiber outer diameter=Ø 2.2mm Fiber inner diameter=Ø 0.25mm Working temperature: -55°C~+70°C Minimum bending radius: R25
	YL-FR-30MLD	<p>Housing: Aluminum</p>	Fiber outer diameter=Ø 2.2mm Fiber inner diameter=Ø 0.25mm Working temperature: -55°C~+70°C Minimum bending radius: R25


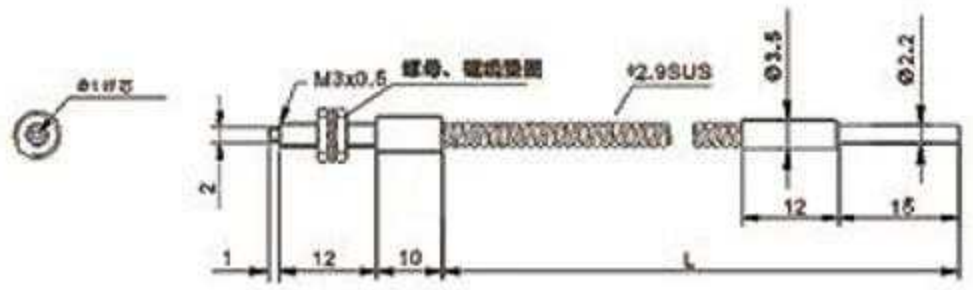

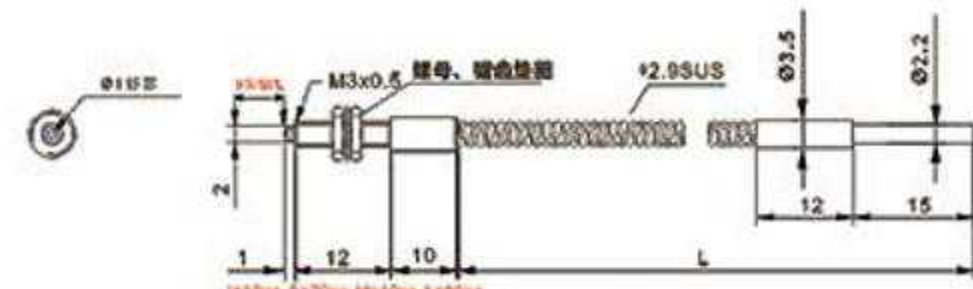

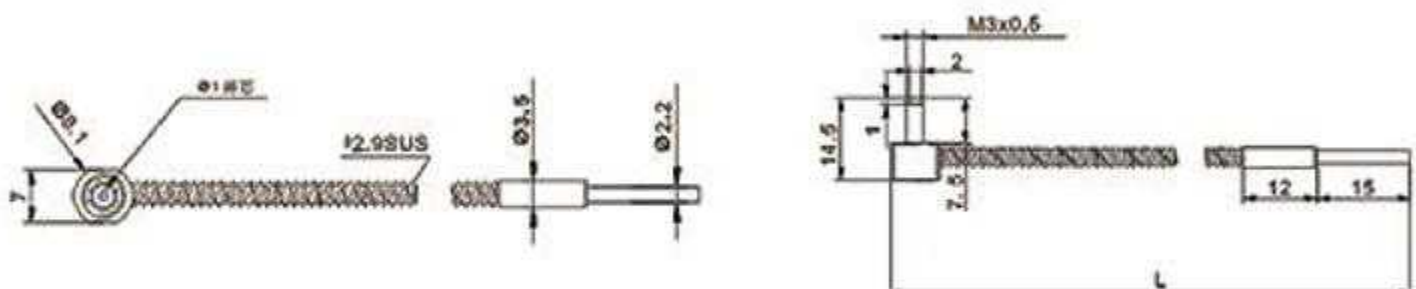

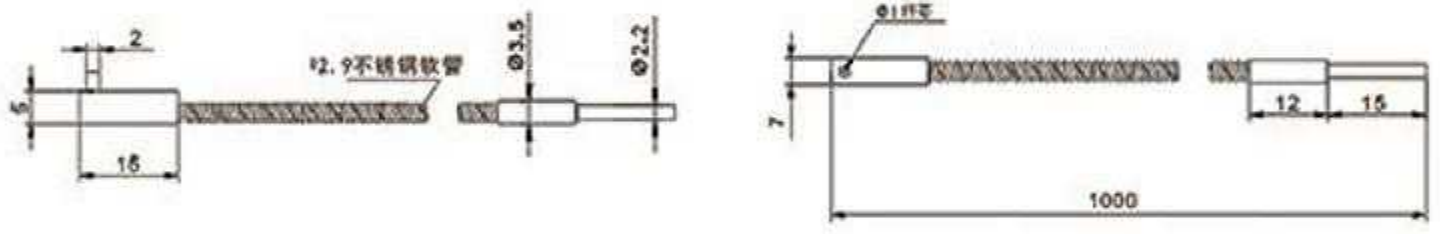
Type	model	size	Specification
Reflective	YL-FR-35MLD 	 Housing: Aluminum	Fiber outer diameter=Ø 2.2mm Fiber inner diameter=Ø 0.25mm Working temperature: -55°C~+70°C Minimum bending radius: R25
	YL-FR-50MLD 	 Housing: Aluminum	Fiber outer diameter=Ø 2.2mm Fiber inner diameter=Ø 0.25mm Working temperature: -55°C~+70°C Minimum bending radius: R25
Through-beam	YL-FT-10ML 	 Housing: Aluminum	Fiber outer diameter=Ø 2.2mm Fiber inner diameter=Ø 0.25mm Working temperature: -55°C~+70°C Minimum bending radius: R25
	YL-FT-15MLD 	 Housing: Aluminum	Fiber outer diameter=Ø 2.2mm Fiber inner diameter=Ø 0.25mm Working temperature: -55°C~+70°C Minimum bending radius: R25
	YL-FT-20MLS 	 Housing: Aluminum	Fiber outer diameter=Ø 2.2mm Fiber inner diameter=Ø 0.25mm Working temperature: -55°C~+70°C Minimum bending radius: R25
	YL-FT-25MLD 	 Housing: Aluminum	Fiber outer diameter=Ø 2.8mm Fiber inner diameter=Ø 0.25mm Working temperature: -55°C~+70°C Minimum bending radius: R25
	YL-FT-30MLD 	 Housing: Aluminum	Fiber outer diameter=Ø 2.8mm Fiber inner diameter=Ø 0.25mm Working temperature: -55°C~+70°C Minimum bending radius: R25



Type	model	size	Specification
rectangular fiber Through-beam	YL-FT-35MLD 	 外壳: 铝	Fiber outer diameter= $\varnothing$ 2.8mm Fiber inner diameter= $\varnothing$ 0.25mm Working temperature: $-55^{\circ}\text{C}\sim+70^{\circ}\text{C}$ Minimum bending radius: R25
	YL-FT-50MLD 	 外壳: 铝	Fiber outer diameter= $\varnothing$ 2.8mm Fiber inner diameter= $\varnothing$ 0.25mm Working temperature: $-55^{\circ}\text{C}\sim+70^{\circ}\text{C}$ Minimum bending radius: R25
	YL-FT-120MLD 	 外壳: 铝	Fiber outer diameter= $\varnothing$ 2.8mm Fiber inner diameter= $\varnothing$ 0.25mm Working temperature: $-55^{\circ}\text{C}\sim+70^{\circ}\text{C}$ Minimum bending radius: R25
side view	YL-T14LD 	 保护管 $\varnothing 3.5$	Fiber outer diameter= $\varnothing$ 2.2mm Fiber inner diameter= $\varnothing$ 1.0mm Working temperature: $-55^{\circ}\text{C}\sim+70^{\circ}\text{C}$ Minimum bending radius: R25
	YL-D24LD 	 保护管 $\varnothing 3.5$	Fiber outer diameter= $\varnothing$ 2.2mm Fiber inner diameter= $\varnothing$ 1.0mm Working temperature: $-55^{\circ}\text{C}\sim+70^{\circ}\text{C}$ Minimum bending radius: R25
Through-beam	YL-FU-A10 	 检测区域 检测区域细节 接收光 16 $\varnothing 0.265$ 宽度3.2的安装孔 宽度6的安装孔 $\varnothing 1$ (两侧) 电枢长度: 2m *包括 16个M3螺柱	
Reflective	YL-FU-A10D 	 检测区域 检测区域细节 接收光 16 $\varnothing 0.265$ 宽度3.2的安装孔 宽度6的安装孔 $\varnothing 1$ (两侧) 电枢长度: 2m *包括 16个M3螺柱	

		model	size
M6 high temperature fiber	Reflective	YL-FRH-310	
		YL-FRH-610B	
		YL-FRH-610M	
M4 high temperature fiber	Right Angle Reflective	YL-FRH-610TZ	
	Reflective	YL-FRH-410	
M4 high temperature fiber	Right Angle Reflective	YL-FRH-410TZ	
	Through-beam	YL-FTH-410	
	Right angle beam	YL-FTH-410TZ	
	Reflective	YL-FRH-310	

M3 high temperature fiber

	model	size
Through-beam	YL-FTH-310 	
Through-beam	YL-FTH-310-I/S/M/L 	
Right angle beam	YL-FTH-310YZ 	
Through-beam	YL-FTH-11-10 	

## **Dongguan city YiLing electronic technology co., LTD**

Contact: 134-1679-4025 Mr. Yang

Q Q: 380954844

Email: 380954844@qq.com

Factory address: 3rd Floor, Building B, Xinrui Zhichuang Industrial Park,  
Zhoutou North Road, Shijie Town, Dongguan City

Sales Center: No. 1D020, SEG Electronics Market, Gangbei Community,  
Dongcheng District, Dongguan City

Website: [www.dgylsensor.com](http://www.dgylsensor.com)



Wechat QR code