



Yi LiNG

DONGGUAN CITY YILING ELECTRONIC TECHNOLOGY CO., LTD

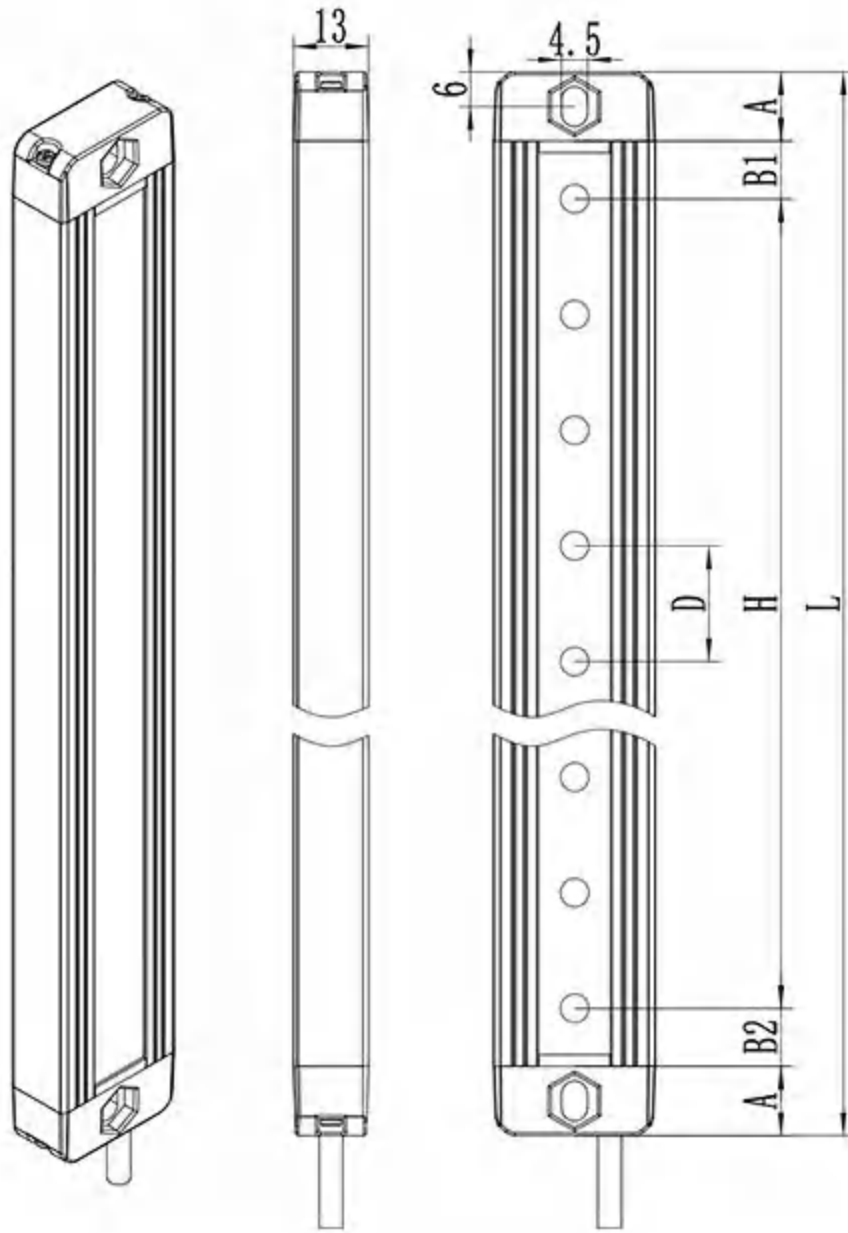


YB13 series ultra-thin grating

YB13 series safety grating adopts the installation method of the upper and lower ends close to each other, and the whole process is self-inspected. Adopt international advanced technology, good shock resistance, stable performance and high resolution. It can protect fingers, palms, and human body, with simple and diverse installation methods, easy optical axis alignment, and light resistance. Strong electromagnetic interference, low power consumption design with short response time and high reliability. The products are underwritten by Dadi Insurance Company, and the product quality is reliable.



Product Size



A1: Upper end cap

A2: Lower end cap + outlet line

B1: Upper Blind Spot

B2: Lower blind spot

D: Optical axis spacing (10mm/15mm/20mm/30mm)

H: grating protection height

L: total grating height

A1, A2 size is 12mm;

When D dimension is 10mm: B1 dimension is 5mm;
B2 dimension is 5mm.

When D dimension is 15mm: B1 dimension is 7.5mm;
B2 dimension is 7.5mm.

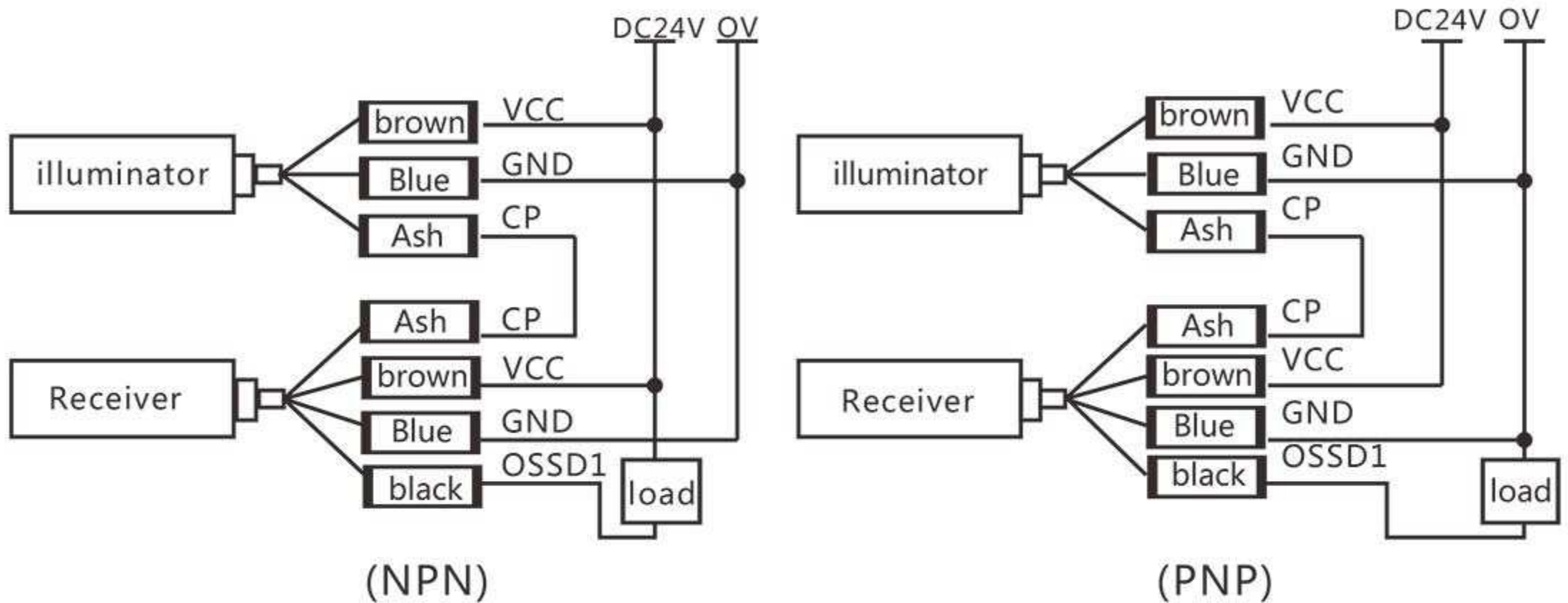
When D dimension is 20mm: B1 dimension is 10mm;
B2 dimension is 10mm.

When D dimension is 30mm: B1 dimension is 22.5mm
; B2 dimension is 7.5mm. L is the total height of the
grating: $L = \text{height of the upper and lower end caps} +$
 $\text{upper and lower blind spots} + \text{protection height}$
H is the protective height of the grating: $H = (\text{number}$
 $\text{of optical axes} - 1) * \text{spacing between optical axes}$

Product Specifications

Protection height	60-1150mm (regular)	Working temperature	-10°C-55°C
Optical axis spacing	10/15/20/30mm	Insulation resistance	$\geq 100M\Omega$
Resolution	15/20/25/35mm	Output current	$\leq 200mA$
Number of optical axes	4、6、8、10、12.....	power	<5W
Operating Voltage	DC24V $\pm 20\%$	Anti-light interference	10000Lux (incidence angle $I > 5^\circ$)
Response time	<5ms	Dielectric strength	AC1500V.60S. No breakdown or flicker
physical dimension	28*13mm	Light curtain form	through-beam
protection distance	0.1~2M	Enclosure rating	IP65
Working environment humidity	When the temperature is 20, the relative humidity of the air is less than 85%		
output signal	NPN/PNP		

Wiring diagram



Specifications for selection

YB13 12 20 N C-2

Protection distance: 2: 0.1-2M

Induction mode: C: normally closed; O: normally open

Output signal: N: (NPN); P: (PNP)

Optical axis spacing: 10mm, 15mm, 20mm, 30mm

The number of beams is: 4, 6, 8, 10....

YB13 series safety grating

Selection table

Optical axis spacing(10mm)

Number of beams (n)	Protection height (mm)	grating height (mm)	Specifications
8	70	104	YB13-0810
12	110	144	YB13-1210
16	150	184	YB13-1610
20	190	224	YB13-2010
24	230	264	YB13-2410
28	270	304	YB13-2810
32	310	344	YB13-3210
36	350	384	YB13-3610
40	390	424	YB13-4010
44	430	464	YB13-4410
48	470	504	YB13-4810
52	510	544	YB13-5210
56	550	584	YB13-5610
60	590	624	YB13-6010
64	630	664	YB13-6410

Optical axis spacing(15mm)

Number of beams (n)	Protection height (mm)	grating height (mm)	Specifications
6	75	114	YB13-0615
8	105	144	YB13-0815
10	135	174	YB13-1015
12	165	204	YB13-1215
14	195	234	YB13-1415
16	225	264	YB13-1615
18	255	294	YB13-1815
20	285	324	YB13-2015
22	315	354	YB13-2215
24	345	384	YB13-2415
26	375	414	YB13-2615
28	405	444	YB13-2815
30	435	474	YB13-3015
32	465	504	YB13-3215
34	495	534	YB13-3415

Optical axis spacing(20mm)

Number of beams (n)	Protection height (mm)	grating height (mm)	Specifications
4	60	104	YB13-0420
6	100	144	YB13-0620
8	140	184	YB13-0820
10	180	224	YB13-1020
12	220	264	YB13-1220
14	260	304	YB13-1420
16	300	344	YB13-1620
18	340	384	YB13-1820
20	380	424	YB13-2020
22	420	464	YB13-2220
24	460	504	YB13-2420
26	500	544	YB13-2620
28	540	584	YB13-2820
30	580	624	YB13-3020
32	620	664	YB13-3220

Optical axis spacing(30mm)

Number of beams (n)	Protection height (mm)	grating height (mm)	Specifications
4	90	144	YB13-0430
6	150	204	YB13-0630
8	210	264	YB13-0830
10	270	324	YB13-1030
12	330	384	YB13-1230
14	390	444	YB13-1430
16	450	504	YB13-1630
18	510	564	YB13-1830
20	570	624	YB13-2030
22	630	684	YB13-2230
24	690	744	YB13-2430
26	750	804	YB13-2630
28	810	864	YB13-2830
30	870	924	YB13-3030
32	930	984	YB13-3230

Note: 1. In addition to the above specifications, gratings corresponding to the protection height can be customized according to customer needs.

YB15 series ultra-thin grating (metal end cap)

YB15 series products are the industry's first ultra-thin grating with a thickness of 15mm. They adopt the installation method with the upper and lower ends close to each other. The installation occupies a small space, has good privacy, is exquisite and beautiful, and has stable performance. It is widely used in non-standard equipment or equipment with small installation location, and can also be used in optical detection equipment such as AOI as protection or start signal.

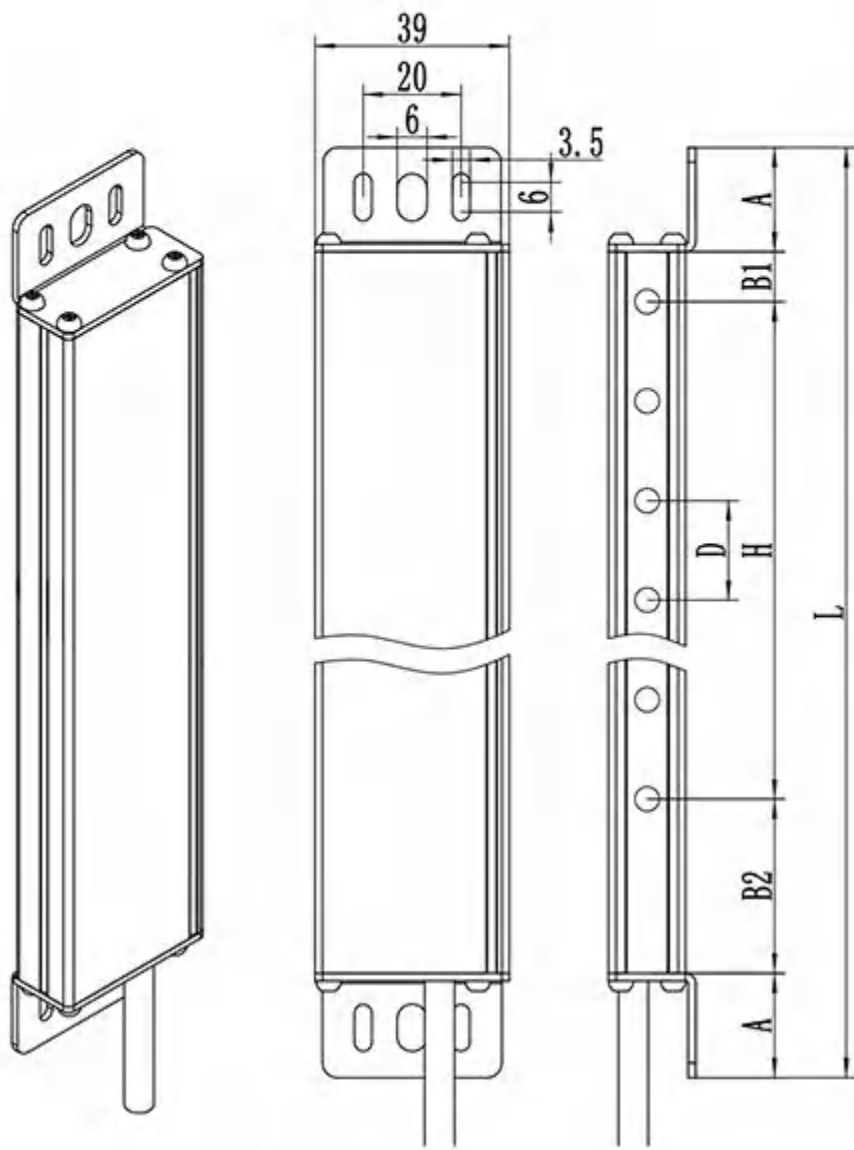


YB15 series ultra-thin grating (plastic end cap)

1. The shell is ultra-thin, effectively reducing the installation space.
2. Various output methods are available.
3. Installation and wiring are simple and easy to understand.
4. SMD patch design, imported high-end components.
5. Short response time and high reliability.
6. The product is underwritten by China Continent Insurance, so customers can rest assured.



Product Size



(metal end cap)

A: Upper and lower end caps

B1: Upper Blind Spot

B2: Lower blind spot

D: Optical axis spacing(10mm/20mm/40mm/80mm)

H: grating protection height

L: total grating height

A size is 20mm

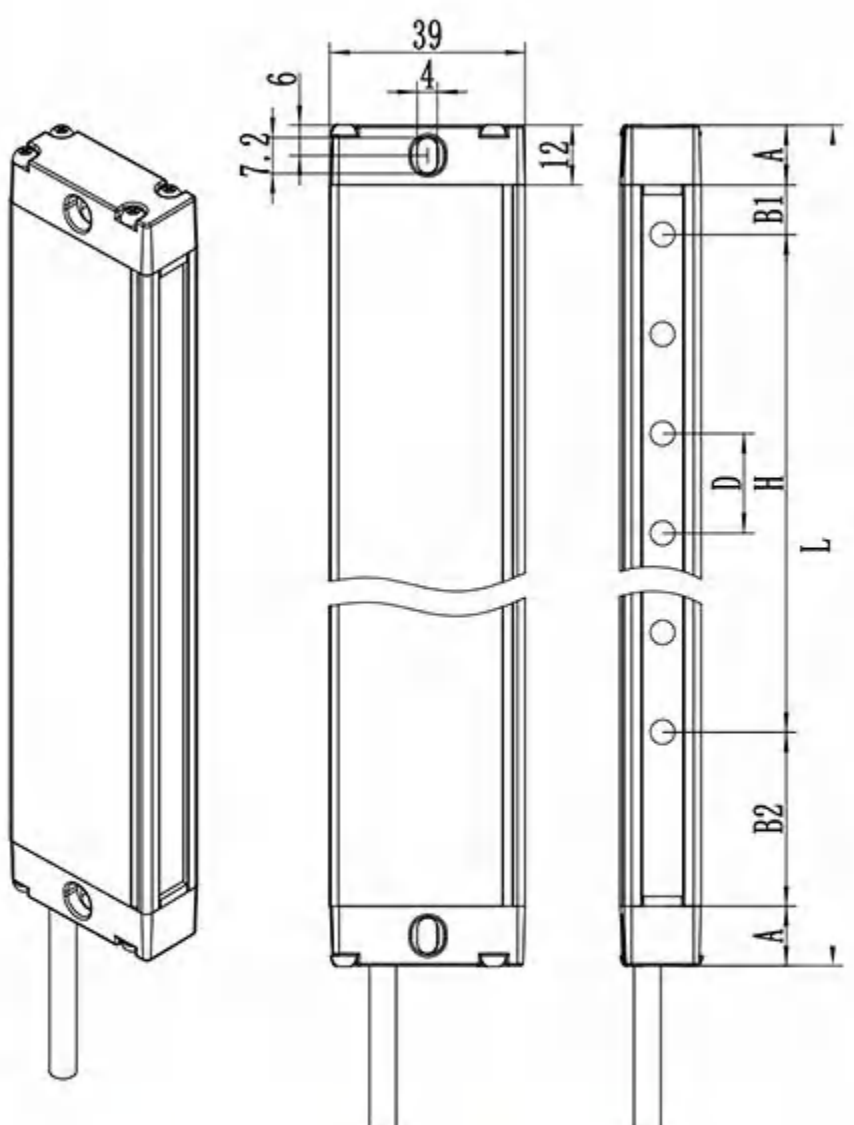
When D dimension is 10mm: B1 dimension is 5mm; B2 dimension is 30mm.

When D size is 20mm/40mm: B1 size is 10mm; B2 size is 35mm.

When D size is 80mm: B1 size is 50mm; B2 size is 35mm.

L is the total height of the grating: L = height of the upper and lower end caps + upper and lower blind spots + protection height

H is the protective height of the grating: $H = (\text{number of optical axes} - 1) \times \text{spacing between optical axes}$



(plastic end cap)

A: Upper and lower end caps

B1: Upper Blind Spot

B2: Lower blind spot

D: Optical axis spacing(10mm/20mm/40mm/80mm)

H: grating protection height

L: total grating height

A size is 12mm

When D dimension is 10mm: B1 dimension is 5mm; B2 dimension is 30mm.

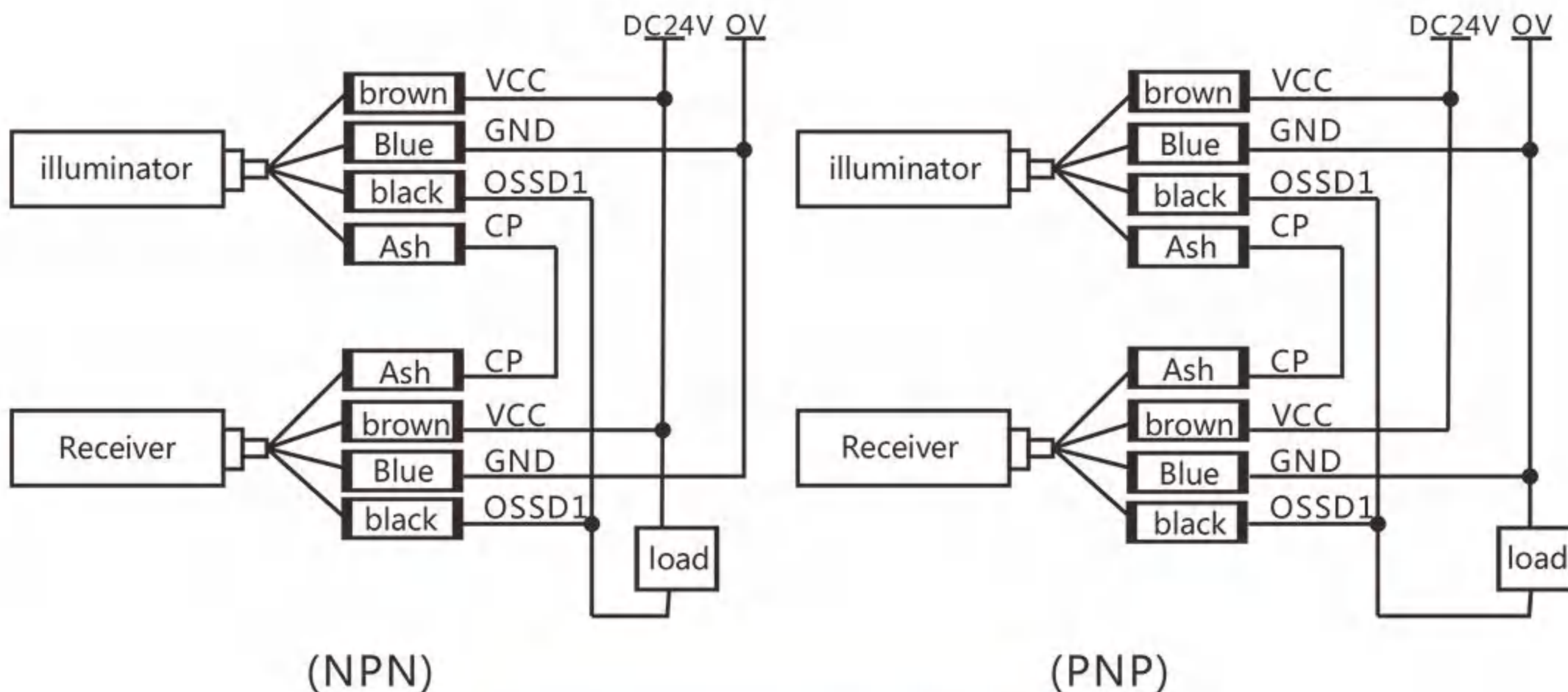
When D size is 20mm/40mm: B1 size is 10mm; B2 size is 35mm.

When D size is 80mm: B1 size is 50mm; B2 size is 35mm.

L is the total height of the grating: L = height of the upper and lower end caps + upper and lower blind spots + protection height

H is the protective height of the grating: $H = (\text{number of optical axes} - 1) \times \text{spacing between optical axes}$

Wiring diagram



Product Specifications

Protection height	60~2000mm(conventional)	Working temperature	-10°C~55°C
Optical axis spacing	10/20/40/80mm	Section size	39*15mm
Resolution	15/25/45/85mm	Insulation resistance	≥100MΩ
Number of optical axes	4、6、8、10.....	Output current	≤200mA
Operating Voltage	DC24V±20%	Anti-light interference	10000Lux (incidence angle I>5°)
Response time	< 5ms	Light curtain form	through-beam
power	< 5W	protection distance	0.1-2M
Working environment humidity	When the temperature is 20, the relative humidity of the air is less than 85%		
output signal	NPN、PNP		

Specifications for selection

YB15 16 10 N C-2

Protection distance: 2: 0.1-2M

Induction mode: C: normally closed, O: normally open

Output signal: P: (PNP), N: (NPN)

Optical axis spacing : 10mm、20mm、40mm、80mm

The number of beams is: 4, 6, 8, 10....

YB15 series safety grating

Selection table

Optical axis spacing(10mm)				Optical axis spacing(20mm)			
Number of beams (n)	Protection height (mm)	grating height (mm)	Specifications	Number of beams (n)	Protection height (mm)	grating height (mm)	Specifications
8	70	145	YB15-0810	4	60	120	YB15-0420
12	110	185	YB15-1210	6	100	185	YB15-0620
16	150	225	YB15-1610	8	140	225	YB15-0820
20	190	265	YB15-2010	10	180	265	YB15-1020
24	230	305	YB15-2410	12	220	305	YB15-1220
28	270	345	YB15-2810	14	260	345	YB15-1420
32	310	385	YB15-3210	16	300	385	YB15-1620
36	350	425	YB15-3610	18	340	425	YB15-1820
40	390	465	YB15-4010	20	380	465	YB15-2020
44	430	505	YB15-4410	22	420	505	YB15-2220
48	470	545	YB15-4810	24	460	545	YB15-2420
52	510	585	YB15-5210	26	500	585	YB15-2620
56	550	625	YB15-5610	28	540	625	YB15-2820
40	590	665	YB15-6010	30	580	665	YB15-3020
64	630	705	YB15-6410	32	620	705	YB15-3220
Optical axis spacing(40mm)				Optical axis spacing(80mm)			
Number of beams (n)	Protection height (mm)	grating height (mm)	Specifications	Number of beams (n)	Protection height (mm)	grating height (mm)	Specifications
4	120	205	YB15-0440	4	240	365	YB15-0480
6	200	285	YB15-0640	6	400	525	YB15-0680
8	280	365	YB15-0840	8	560	685	YB15-0880
10	360	445	YB15-1040	10	720	845	YB15-1080
12	440	525	YB15-1240	12	880	1005	YB15-1280
14	520	605	YB15-1440	14	1040	1165	YB15-1480
16	600	685	YB15-1640				
18	680	765	YB15-1840				
20	760	845	YB15-2040				
22	840	925	YB15-2240				
24	920	1005	YB15-2440				
26	1000	1085	YB15-2640				
28	1080	1165	YB15-2840				

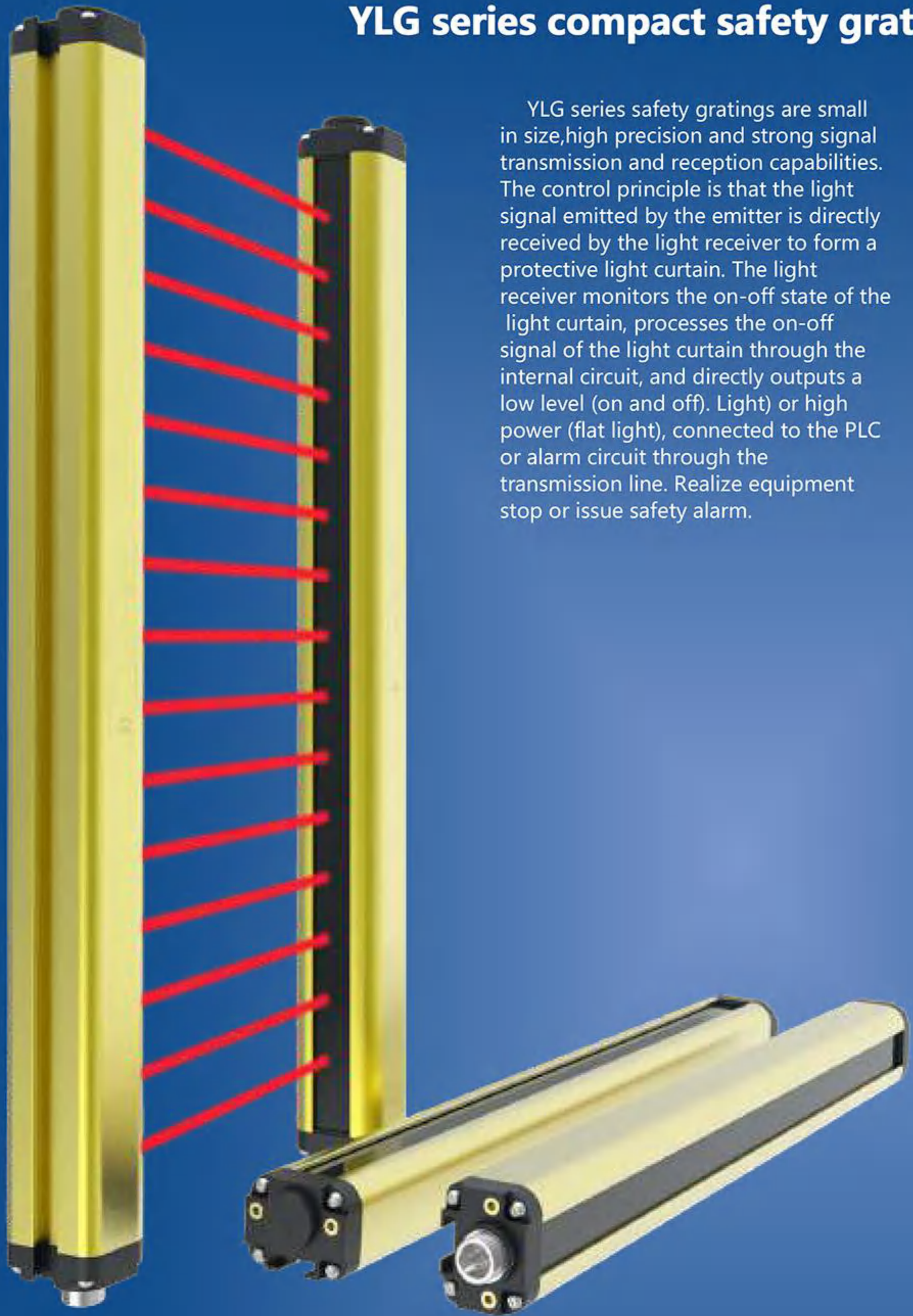
Note: 1. The total height of the secondary selection table is for the metal end cap, and the total height of the plastic end cap is: effective height + 24mm

2. The default output mode is NPN, and its 0V output is valid.

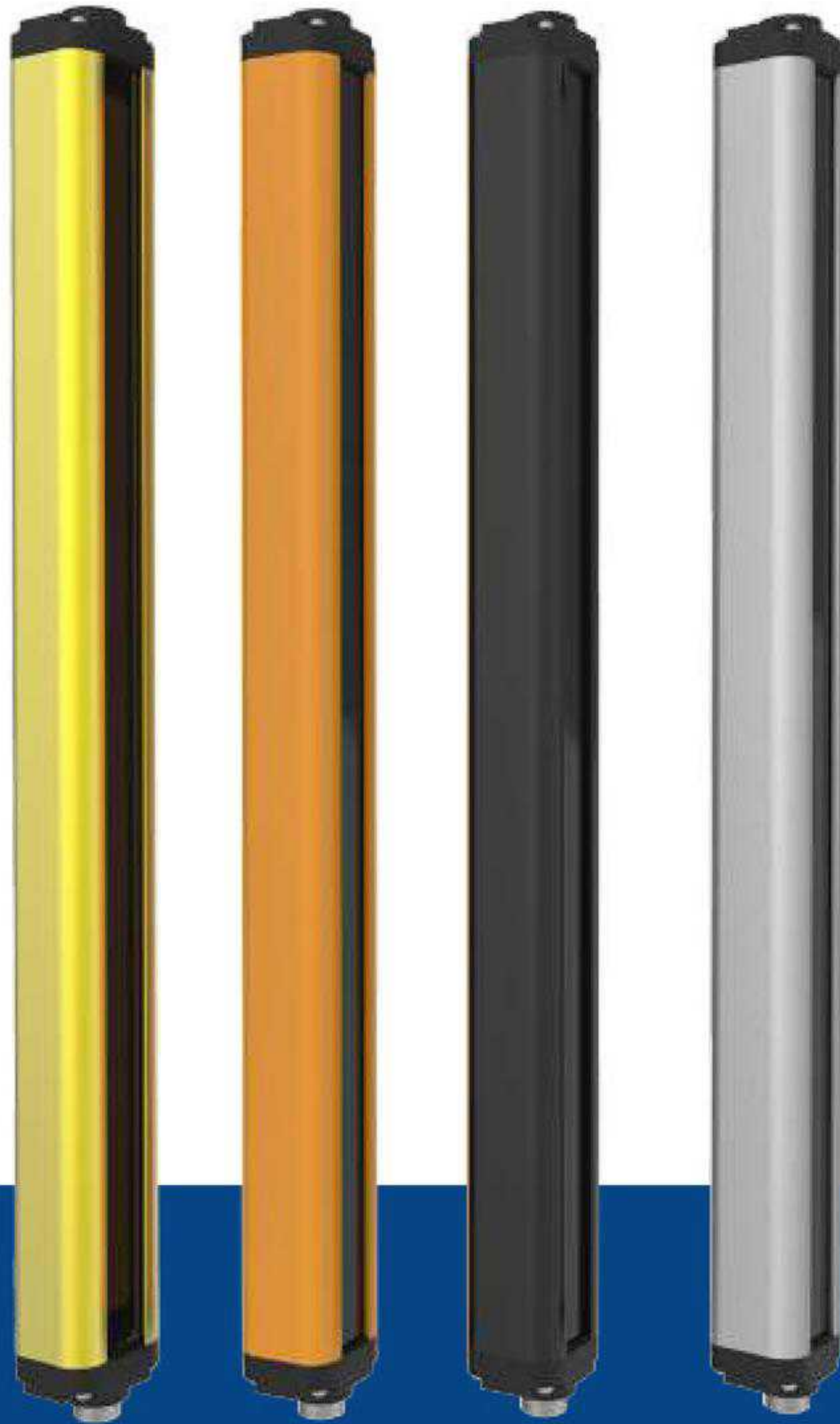
3. In addition to the above specifications and models, gratings corresponding to the protection height can be customized according to customer needs.

YLG series compact safety grating

YLG series safety gratings are small in size, high precision and strong signal transmission and reception capabilities. The control principle is that the light signal emitted by the emitter is directly received by the light receiver to form a protective light curtain. The light receiver monitors the on-off state of the light curtain, processes the on-off signal of the light curtain through the internal circuit, and directly outputs a low level (on and off. Light) or high power (flat light), connected to the PLC or alarm circuit through the transmission line. Realize equipment stop or issue safety alarm.



Product appearance process



Oxidized gold
(conventional)

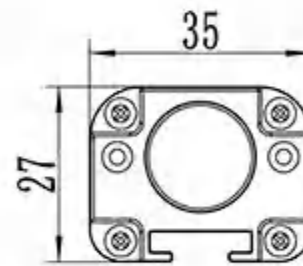
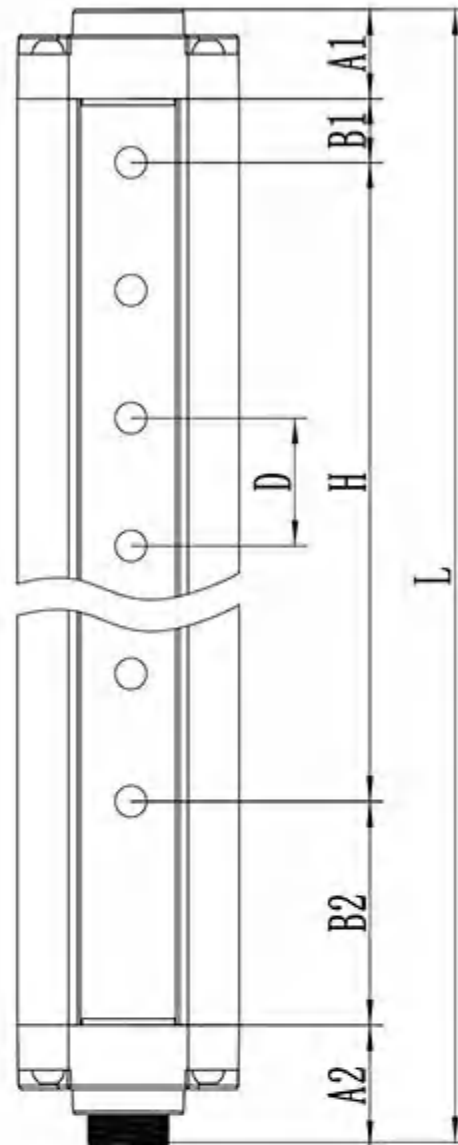
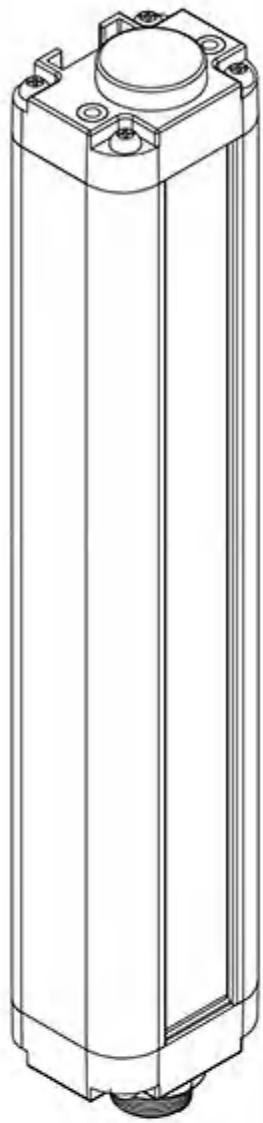
spray yellow
(optional)

spray black
(optional)

oxidized silver
(optional)

1. Small in size, only 35*27mm in size.
2. The installation method is flexible and simple.
3. The light spot cycle self-inspection improves the safety of the equipment.
4. The grating has its own transistor output (PNP/NPN).
5. Imported aging equipment can ensure the stable performance of the product.
6. With waterproof function.

Product Size



A1: Upper end cap

A2: Lower end cover + aviation terminal

B1: Upper Blind Spot

B2: Lower blind spot

D: Optical axis spacing

(5mm/10mm/15mm/20mm/30mm/40mm)

H: grating protection height

L: total grating height

A1 size is 14mm; A2 size is 20mm

When D dimension is 5mm: B1 dimension is 7.5mm; B2 dimension is 42.5mm.

When D dimension is 10mm: B1 dimension is 5mm; B2 dimension is 30mm.

When D dimension is 15mm: B1 dimension is 7.5mm; B2 dimension is 12.5mm.

When D dimension is 30mm: B1 dimension is 7.5mm; B2 dimension is 27.5mm.

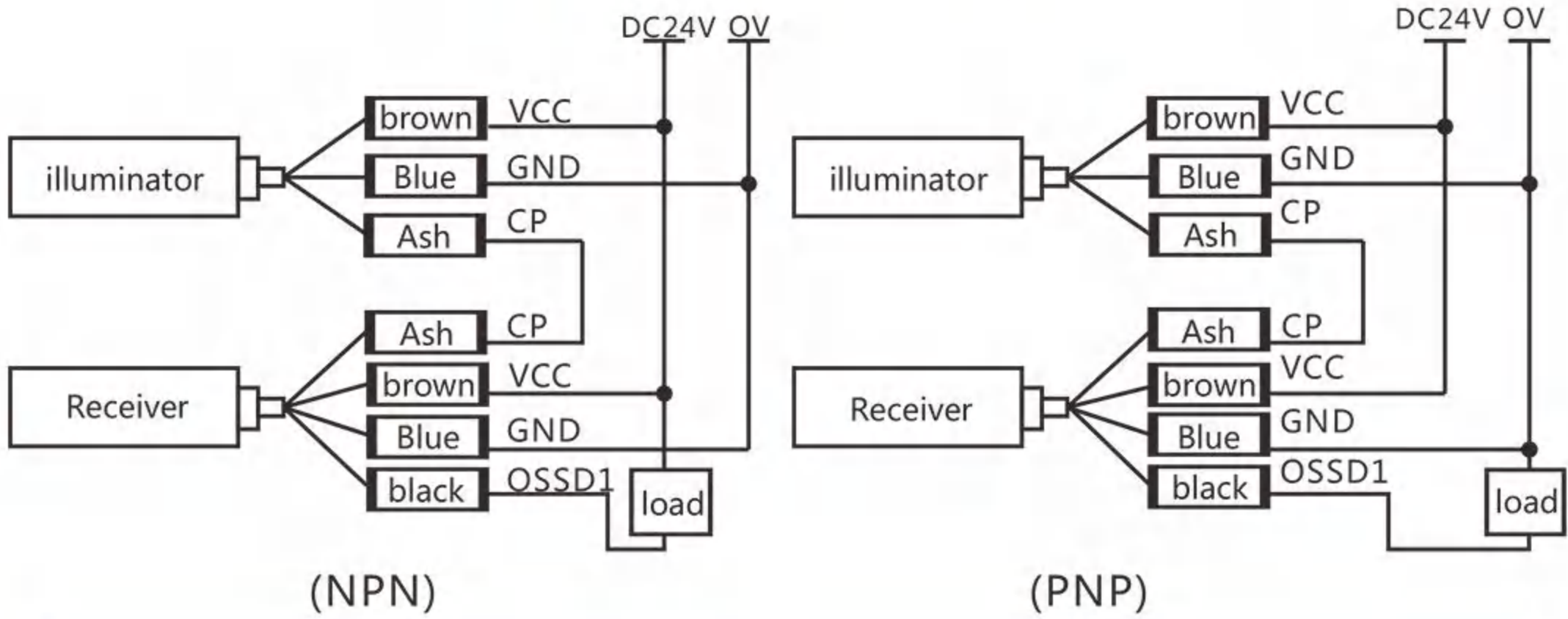
When D size is 20mm/40mm: B1 size is 10mm; B2 size is 35mm. L is the total height of the grating: L = height of upper and lower end caps + upper and lower blind spots + protection height.



H is the protective height of the grating: $H = (\text{number of optical axes} - 1) \times \text{spacing between optical axes}$

Product Specifications

Protection height	60~2000(conventional)	Working temperature	-10°C~55°C
Optical axis spacing	5/10/15/20/30/40mm	Working environment humidity	When the temperature is 20, the relative humidity of the air is less than 85%
Resolution	10/15/20/25/35/45mm	Output current	≤200mA
Number of optical axes	4、6、8、10.....	power	≤5W
Operating Voltage	DC24V±20%	Anti-light interference	10000Lux (incidence angle I>5°)
Insulation resistance	≥100MΩ	Dielectric strength	ACI500V.60S. No breakdown or flicker
Response time	< 5ms	Section size	35*27mm
protection distance	0.1-2M	Enclosure rating	IP65
output signal	NPN/PNP		

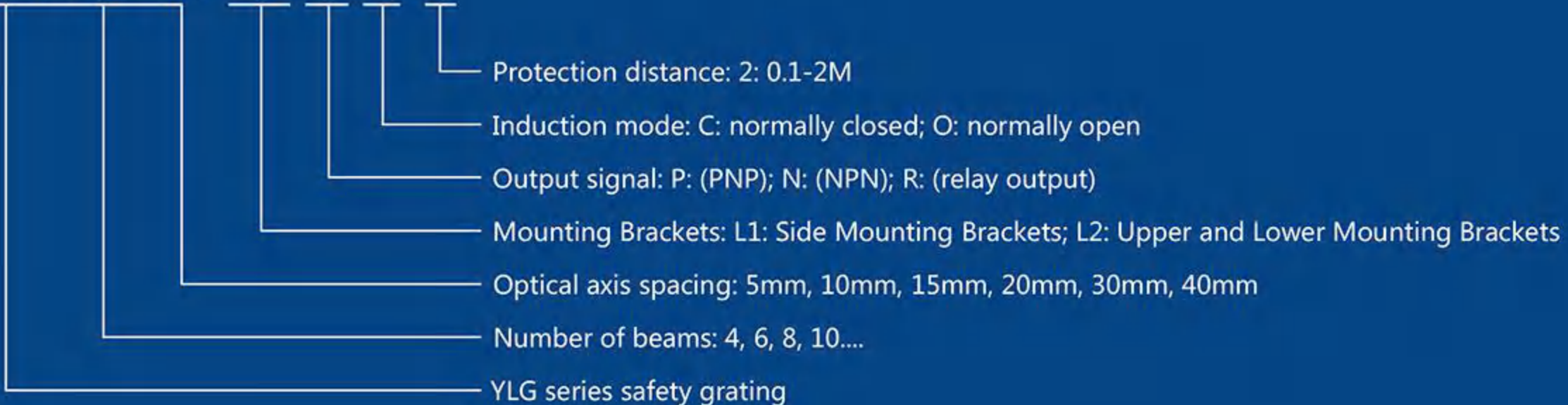
Wiring diagram



software configuration		
Side Mount Bracket (L1) (standard)	1: 4 L1 brackets; 2: 4 sliders; 3: 4 M6 washers + 4 M6 spring washers 4: 4 M6*16 screws; 5: 4 M6*8 screws.	
Upper and lower brackets (L2) (optional)	1: 4 upper and lower brackets; 2: M6*12 screws; 3: One M3*6 screw.	

Option Specifications

YLG 16 40 L1 N C-2



Selection table

Optical axis spacing(5mm)				Optical axis spacing(10mm)			
Number of beams (n)	Protection height (mm)	grating height (mm)	Specifications	Number of beams (n)	Protection height (mm)	grating height (mm)	Specifications
16	75	159	YLG1605	8	70	139	YLG0810
24	115	199	YLG2405	12	110	179	YLG1210
32	155	239	YLG3205	16	150	219	YLG1610
40	195	279	YLG4005	20	190	259	YLG2010
48	235	319	YLG4805	24	230	299	YLG2410
56	275	359	YLG5605	28	270	339	YLG2810
64	315	399	YLG6405	32	310	379	YLG3210
72	355	439	YLG7205	36	350	419	YLG3610
80	395	479	YLG8005	40	390	459	YLG4010
88	435	519	YLG8805	44	430	499	YLG4410
96	475	559	YLG9605	48	470	539	YLG4810
104	515	599	YLG10405	52	510	579	YLG5210
112	555	639	YLG11205	56	550	619	YLG5610
120	595	679	YLG12005	60	590	659	YLG6010
128	635	719	YLG12805	64	630	699	YLG6410
136	675	759	YLG13605	68	670	739	YLG6810
144	715	799	YLG14405	72	710	779	YLG7210
152	755	839	YLG15205	76	750	819	YLG7610
160	795	879	YLG16005	80	790	859	YLG8010
168	835	919	YLG16805	84	830	899	YLG8410
176	875	959	YLG17605	88	870	939	YLG8810
184	915	999	YLG18405	92	910	979	YLG9210
192	955	1039	YLG19205	96	950	1019	YLG9610
200	995	1079	YLG20005	100	990	1059	YLG10010
208	1035	1119	YLG20805	104	1030	1099	YLG10410
216	1075	1159	YLG21605	108	1070	1139	YLG10810
224	1115	1199	YLG22405	112	1110	1179	YLG11210
232	1155	1239	YLG23205	116	1150	1219	YLG11610
240	1195	1279	YLG24005	120	1190	1259	YLG12010
248	1235	1319	YLG24805	124	1230	1299	YLG12410
256	1275	1359	YLG25605	128	1270	1339	YLG12810
264	1315	1399	YLG26405	132	1310	1379	YLG13210
272	1355	1439	YLG27205	136	1350	1419	YLG13610
280	1395	1479	YLG28005	140	1390	1459	YLG14010
288	1435	1519	YLG28805	144	1430	1499	YLG14410

Selection table

Optical axis spacing(15mm)				Optical axis spacing(20mm)			
Number of beams (n)	Protection height (mm)	grating height (mm)	Specifications	Number of beams (n)	Protection height (mm)	grating height (mm)	Specifications
8	105	159	YLG0815	4	60	114	YLG0420
10	135	189	YLG1015	6	100	179	YLG0620
12	165	219	YLG1215	8	140	219	YLG0820
14	195	249	YLG1415	10	180	259	YLG1020
16	225	279	YLG1615	12	220	299	YLG1220
18	255	309	YLG1815	14	260	339	YLG1420
20	285	339	YLG2015	16	300	379	YLG1620
22	315	369	YLG2215	18	340	419	YLG1820
24	345	399	YLG2415	20	380	459	YLG2020
26	375	429	YLG2615	22	420	499	YLG2220
28	405	459	YLG2815	24	460	539	YLG2420
30	435	489	YLG3015	26	500	579	YLG2620
32	465	519	YLG3215	28	540	619	YLG2820
34	495	549	YLG3415	30	580	659	YLG3020
36	525	579	YLG3615	32	620	699	YLG3220
38	555	609	YLG3815	34	660	739	YLG3420
40	585	639	YLG4015	36	700	779	YLG3620
42	615	669	YLG4215	38	740	819	YLG3820
44	645	699	YLG4415	40	780	859	YLG4020
46	675	729	YLG4615	42	820	899	YLG4220
48	705	759	YLG4815	44	860	939	YLG4420
50	735	789	YLG5015	46	900	979	YLG4620
52	765	819	YLG5215	48	940	1019	YLG4820
54	795	849	YLG5415	50	980	1059	YLG5020
56	825	879	YLG5615	52	1020	1099	YLG5220
58	855	909	YLG5815	54	1060	1139	YLG5420
60	885	939	YLG6015	56	1100	1179	YLG5620
62	915	969	YLG6215	58	1140	1219	YLG5820
64	945	999	YLG6415	60	1180	1259	YLG6020
66	975	1029	YLG6615	62	1220	1299	YLG6220
68	1005	1059	YLG6815	64	1260	1339	YLG6420
70	1035	1089	YLG7015	66	1300	1379	YLG6620
72	1065	1119	YLG7215	68	1340	1419	YLG6820
74	1095	1149	YLG7415	70	1380	1459	YLG7020
76	1125	1179	YLG7615	72	1420	1499	YLG7220

YSN series general safety grating

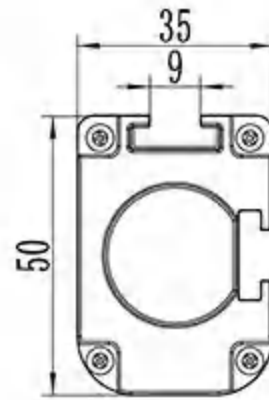
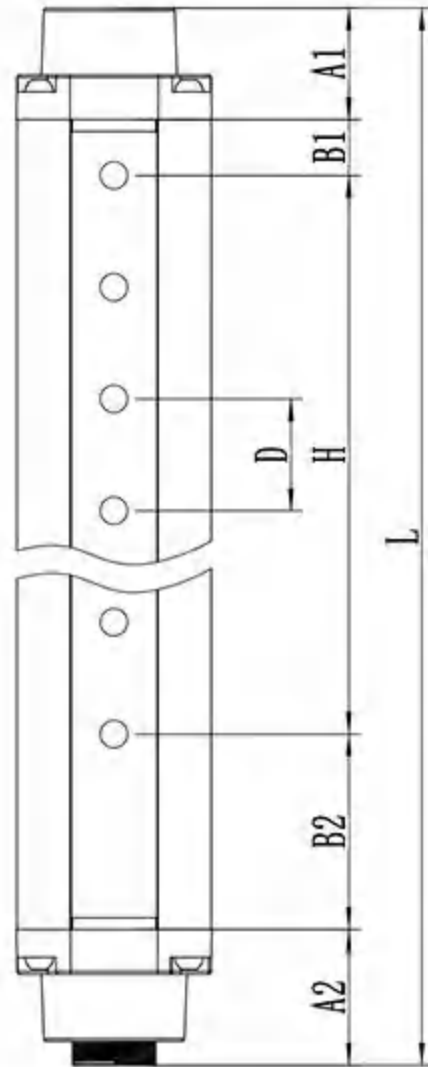
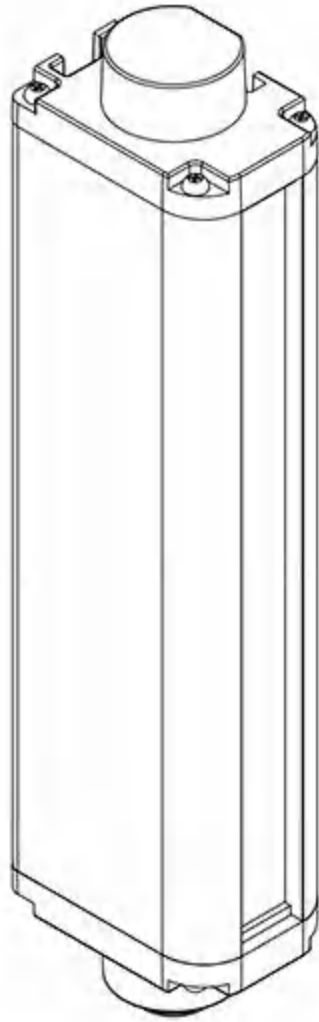
YSN series light curtain adopts the principle of optical lens to realize the ultra-long beam distance up to 25m, which can effectively detect any opaque objects entering the light curtain area.

Features

1. The self-checking function is perfect. When the photoelectric safety protection device fails, it ensures that no wrong signal is sent to the controlled equipment.
2. Using line synchronization technology, strong anti-interference ability.
3. Photoelectric cycle self-test to improve equipment safety.
4. SMD patch design, imported high-end components.



Product Size



A1: Upper end cap

A2: Lower end cover + aviation terminal

B1: Upper Blind Spot

B2: Lower blind spot

D: Optical axis spacing (10mm/20mm/40mm)

H: grating protection height

L: total grating height

A1 size is 20mm; A2 size is 25mm

When D dimension is 5mm: B1 dimension is 7.5mm; B2 dimension is 42.5mm.

When D dimension is 10mm: B1 dimension is 5mm; B2 dimension is 30mm.

When D dimension is 15mm: B1 dimension is 7.5mm; B2 dimension is 12.5mm.

When D dimension is 30mm: B1 dimension is 7.5mm; B2 dimension is 27.5mm.

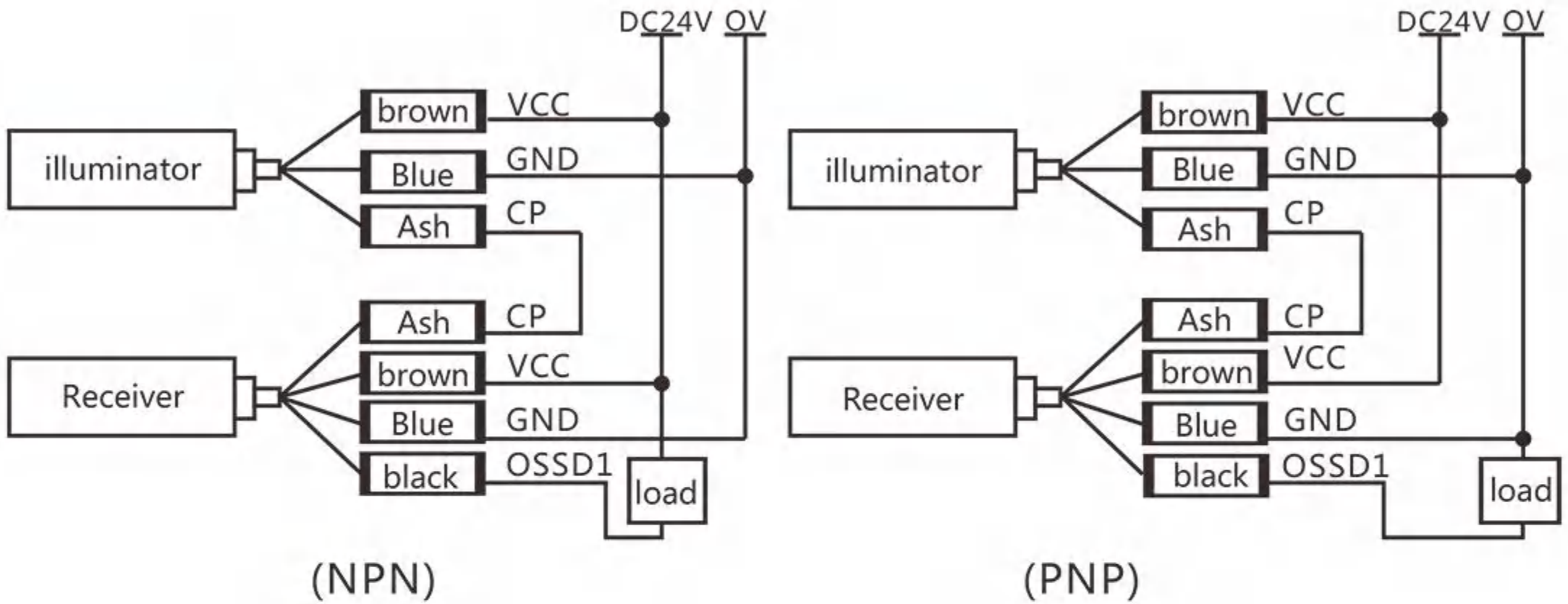
When D dimension is 20mm/40mm: B1 dimension is 10mm; B2 dimension is 35mm.

L is the total height of the grating: $L = \text{height of the upper and lower end caps} + \text{upper and lower blind spots} + \text{protection height}$
 H is the protective height of the grating: $H = (\text{number of optical axes} - 1) * \text{spacing between optical axes}$.

Product Specifications

Protection height	60-2000(conventional)	Working temperature	-10°C-55°C
Optical axis spacing	5/10/15/20/30/40mm	Storage ambient temperature	-25°C-70°C
Resolution	10/15/20/25/35/45mm	Working environment humidity	When the temperature is 20, the relative humidity of the air is less than 85%
Number of optical axes	4、 6、 8、 10.....	Output current	≤200mA
voltage	DC24V±20%	Anti-light interference	10000Lux (incidence angle $I > 5^\circ$)
power	< 5W	Dielectric strength	ACI500V.60S. No breakdown or flicker
Response time	< 5ms	Light curtain form	through-beam
Insulation resistance	≥100MΩ	Section size	35*50mm
output signal	NPN、 PNP、 relay		
protection distance	5: 0.1-5M、 10: 0.1-10M、 15: 0.1-15M、 20: 0.1-20M		

Wiring diagram



Attachment configuration	Side Mount Bracket (L1) (standard)	<ul style="list-style-type: none"> 1: 4 L1 brackets; 2: 4 sliders; 3: 4 M6 washers + 4 M6 spr washers; 4: 4 M6*16 screws; 5: 4 M6*8 screws. 	
---------------------------------	------------------------------------	--	---

Specifications for selection

YSN 10 20 L1 N C-5

- Protection distance: 5: 0.1-5M, 10: 0.1-10M, 15: 0.1-15M, 20: 0.1-20M
- Induction mode: C: normally closed, O: normally open
- Output signal: N: (NPN), P: (PNP), R: (relay output)
- Mounting brackets: L1: side mount bracket, N: aluminum swing arm bracket, T: iron swing arm bracket, J: reinforced bracket optical axi.
- Spacing: 5mm, 10mm, 15mm, 20mm, 30mm, 40mm
- The number of beams is: 4, 6, 8, 10...300, 302, 304
- YSN series safety grating

Selection table

Optical axis spacing(5mm)				Optical axis spacing(10mm)			
Number of beams (n)	Protection height (mm)	grating height (mm)	Specifications	Number of beams (n)	Protection height (mm)	grating height (mm)	Specifications
16	75	170	YSN1605	8	70	150	YSN0810
24	115	210	YSN2405	12	110	190	YSN1210
32	155	250	YSN3205	16	150	230	YSN1610
40	195	290	YSN4005	20	190	270	YSN2010
48	235	330	YSN4805	24	230	310	YSN2410
56	275	370	YSN5605	28	270	350	YSN2810
64	315	410	YSN6405	32	310	390	YSN3210
72	355	450	YSN7205	36	350	430	YSN3610
80	395	490	YSN8005	40	390	470	YSN4010
88	435	530	YSN8805	44	430	510	YSN4410
96	475	570	YSN9605	48	470	550	YSN4810
104	515	610	YSN10405	52	510	590	YSN5210
112	555	650	YSN11205	56	550	630	YSN5610
120	595	690	YSN12005	60	590	670	YSN6010
128	635	730	YSN12805	64	630	710	YSN6410
136	675	770	YSN13605	68	670	750	YSN6810
144	715	810	YSN14405	72	710	790	YSN7210
152	755	850	YSN15205	76	750	830	YSN7610
160	795	890	YSN16005	80	790	870	YSN8010
168	835	930	YSN16805	84	830	910	YSN8410
176	875	970	YSN17605	88	870	950	YSN8810
184	915	1010	YSN18405	92	910	990	YSN9210
192	955	1050	YSN19205	96	950	1030	YSN9610
200	995	1090	YSN20005	100	990	1070	YSN10010
208	1035	1130	YSN20805	104	1030	1110	YSN10410
216	1075	1170	YSN21605	108	1070	1150	YSN10810
224	1115	1210	YSN22405	112	1110	1190	YSN11210
232	1155	1250	YSN23205	116	1150	1230	YSN11610
240	1195	1290	YSN24005	120	1190	1270	YSN12010
248	1235	1330	YSN24805	124	1230	1310	YSN12410
256	1275	1370	YSN25605	128	1270	1350	YSN12810
264	1315	1410	YSN26405	132	1310	1390	YSN13210
272	1355	1450	YSN27205	136	1350	1430	YSN13610
280	1395	1490	YSN28005	140	1390	1470	YSN14010
288	1435	1530	YSN28805	144	1430	1510	YSN14410

Selection table

Optical axis spacing(15mm)				Optical axis spacing(20mm)			
Number of beams (n)	Protection height (mm)	grating height (mm)	Specifications	Number of beams (n)	Protection height (mm)	grating height (mm)	Specifications
8	105	170	YSN0815	4	60	125	YSN0420
10	135	200	YSN1015	6	100	190	YSN0620
12	165	230	YSN1215	8	140	230	YSN0820
14	195	260	YSN1415	10	180	270	YSN1020
16	225	290	YSN1615	12	220	310	YSN1220
18	255	320	YSN1815	14	260	350	YSN1420
20	285	350	YSN2015	16	300	390	YSN1620
22	315	380	YSN2215	18	340	430	YSN1820
24	345	410	YSN2415	20	380	470	YSN2020
26	375	440	YSN2615	22	420	510	YSN2220
28	405	470	YSN2815	24	460	550	YSN2420
30	435	500	YSN3015	26	500	590	YSN2620
32	465	530	YSN3215	28	540	630	YSN2820
34	495	560	YSN3415	30	580	670	YSN3020
36	525	590	YSN3615	32	620	710	YSN3220
38	555	620	YSN3815	34	660	750	YSN3420
40	585	650	YSN4015	36	700	790	YSN3620
42	615	680	YSN4215	38	740	830	YSN3820
44	645	710	YSN4415	40	780	870	YSN4020
46	675	740	YSN4615	42	820	910	YSN4220
48	705	770	YSN4815	44	860	950	YSN4420
50	735	800	YSN5015	46	900	990	YSN4620
52	765	830	YSN5215	48	940	1030	YSN4820
54	795	860	YSN5415	50	980	1070	YSN5020
56	825	890	YSN5615	52	1020	1110	YSN5220
58	855	920	YSN5815	54	1060	1150	YSN5420
60	885	950	YSN6015	56	1100	1190	YSN5620
62	915	980	YSN6215	58	1140	1230	YSN5820
64	945	1010	YSN6415	60	1180	1270	YSN6020
66	975	1040	YSN6615	62	1220	1310	YSN6220
68	1005	1070	YSN6815	64	1260	1350	YSN6420
70	1035	1100	YSN7015	66	1300	1390	YSN6620
72	1065	1130	YSN7215	68	1340	1430	YSN6820
74	1095	1160	YSN7415	70	1380	1470	YSN7020
76	1125	1190	YSN7615	72	1420	1510	YSN7220

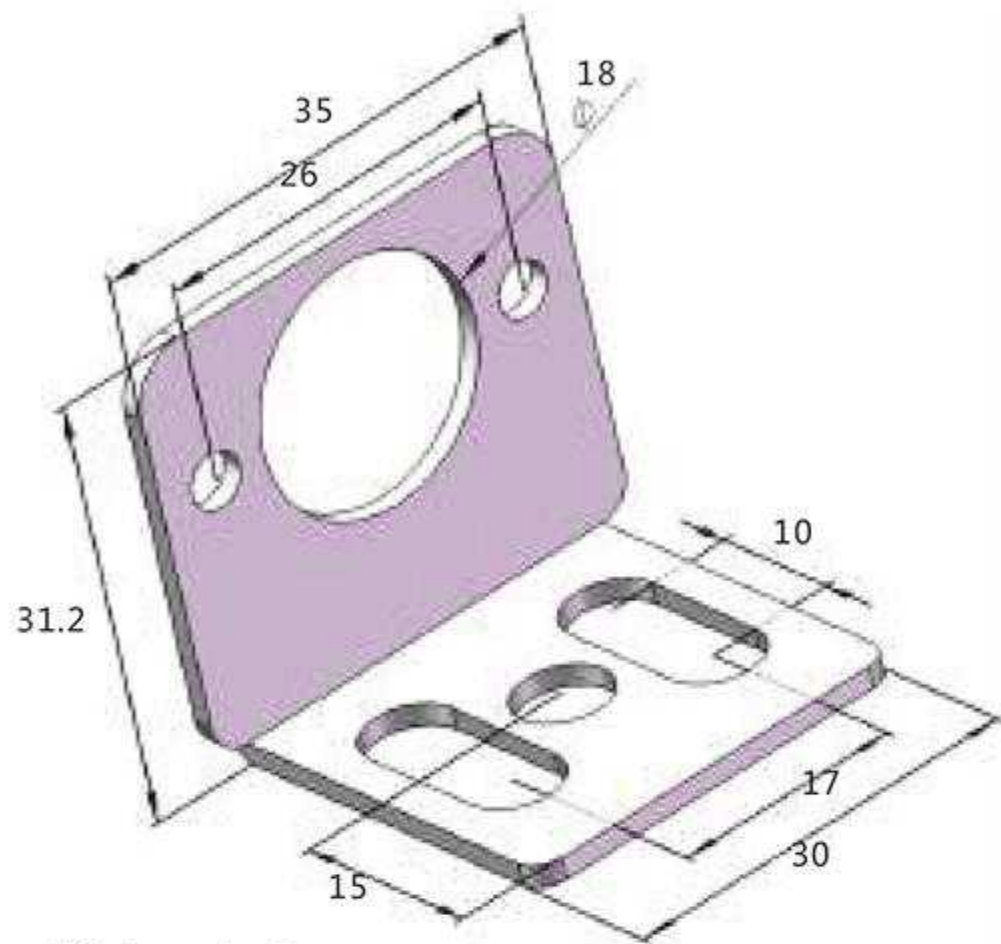
Selection table

Optical axis spacing(30mm)				Optical axis spacing(40mm)			
Number of beams (n)	Protection height (mm)	grating height (mm)	Specifications	Number of beams (n)	Protection height (mm)	grating height (mm)	Specifications
4	90	170	YSN0430	4	120	210	YSN0440
6	150	230	YSN0630	6	200	290	YSN0640
8	210	290	YSN0830	8	280	370	YSN0840
10	270	350	YSN1030	10	360	450	YSN1040
12	330	410	YSN1230	12	440	530	YSN1240
14	390	470	YSN1430	14	520	610	YSN1440
16	450	530	YSN1630	16	600	690	YSN1640
18	510	590	YSN1830	18	680	770	YSN1840
20	570	650	YSN2030	20	760	850	YSN2040
22	630	710	YSN2230	22	840	930	YSN2240
24	690	770	YSN2430	24	920	1010	YSN2440
26	750	830	YSN2630	26	1000	1090	YSN2640
28	810	890	YSN2830	28	1080	1170	YSN2840
30	870	950	YSN3030	30	1160	1250	YSN3040
32	930	1010	YSN3230	32	1240	1330	YSN3240
34	990	1070	YSN3430	34	1320	1410	YSN3440
36	1050	1130	YSN3630	36	1400	1490	YSN3640
38	1110	1190	YSN3830	38	1480	1570	YSN3840
40	1170	1250	YSN4030	40	1560	1650	YSN4040
42	1230	1310	YSN4230	42	1640	1730	YSN4240
44	1290	1370	YSN4430	44	1720	1810	YSN4440
46	1350	1430	YSN4630	46	1800	1890	YSN4640
48	1410	1490	YSN4830	48	1880	1970	YSN4840
50	1470	1550	YSN5030	50	1960	2050	YSN5040
52	1530	1610	YSN5230	52	2040	2130	YSN5240
54	1590	1670	YSN5430	54	2120	2210	YSN5440
56	1650	1730	YSN5630	56	2200	2290	YSN5640
58	1710	1790	YSN5830	58	2280	2370	YSN5840
60	1770	1850	YSN6030	60	2360	2450	YSN6040
62	1830	1910	YSN6230	62	2440	2530	YSN6240
64	1890	1970	YSN6430	64	2520	2610	YSN6440
66	1950	2030	YSN6630	66	2600	2690	YSN6640
68	2010	2090	YSN6830	68	2680	2770	YSN6840
70	2070	2150	YSN7030	70	2760	2850	YSN7040
72	2130	2210	YSN7230	72	2840	2930	YSN7240

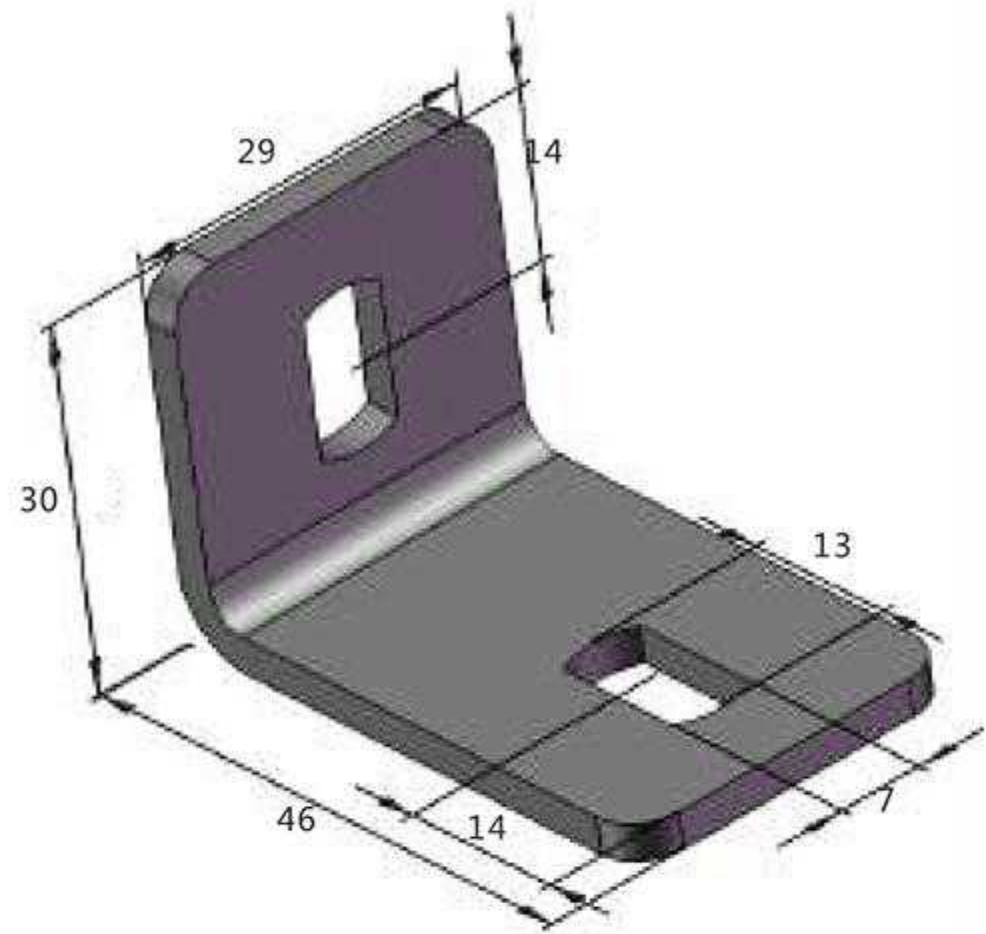
Note: 1. The default output mode is NPN, and its 0V output is valid.

2. In addition to the above specifications and models, gratings corresponding to the protection height can be customized according to customer needs.

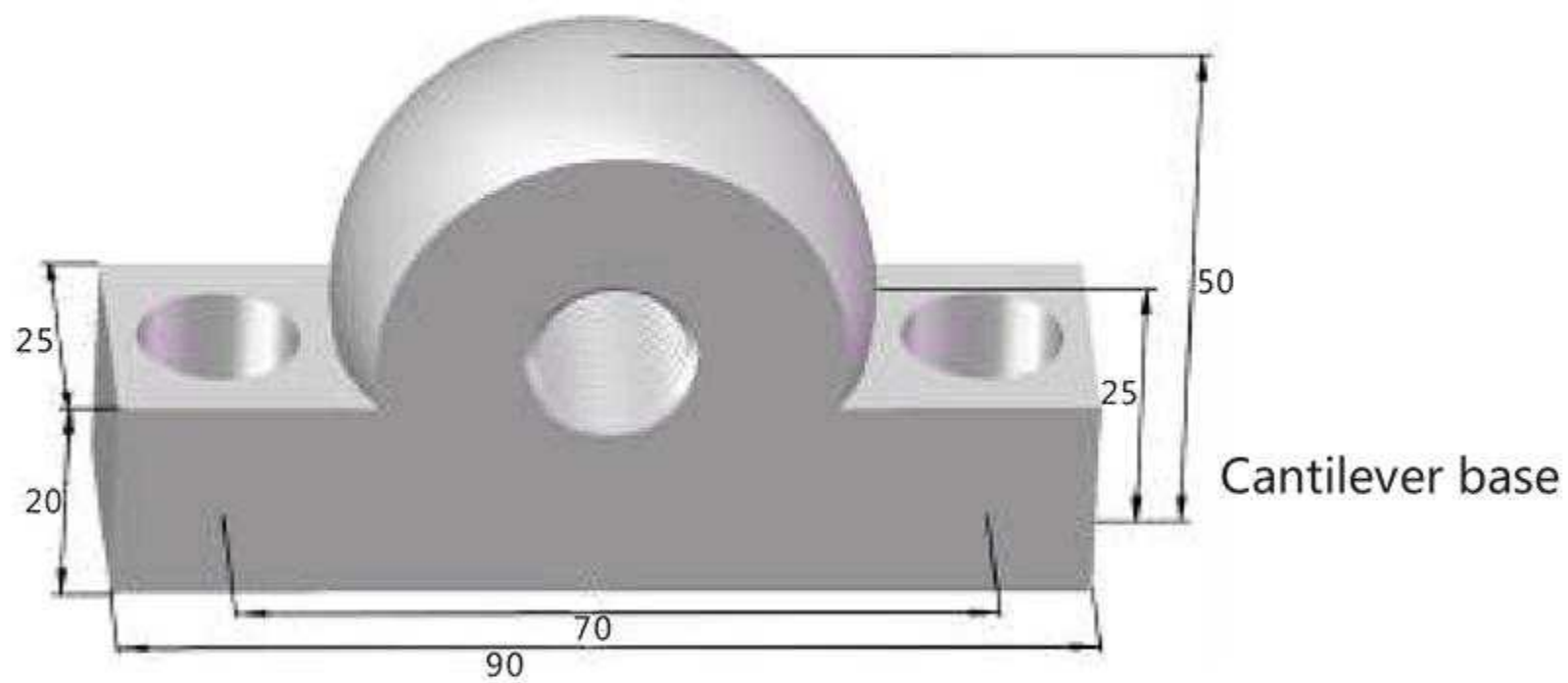
Accessory size



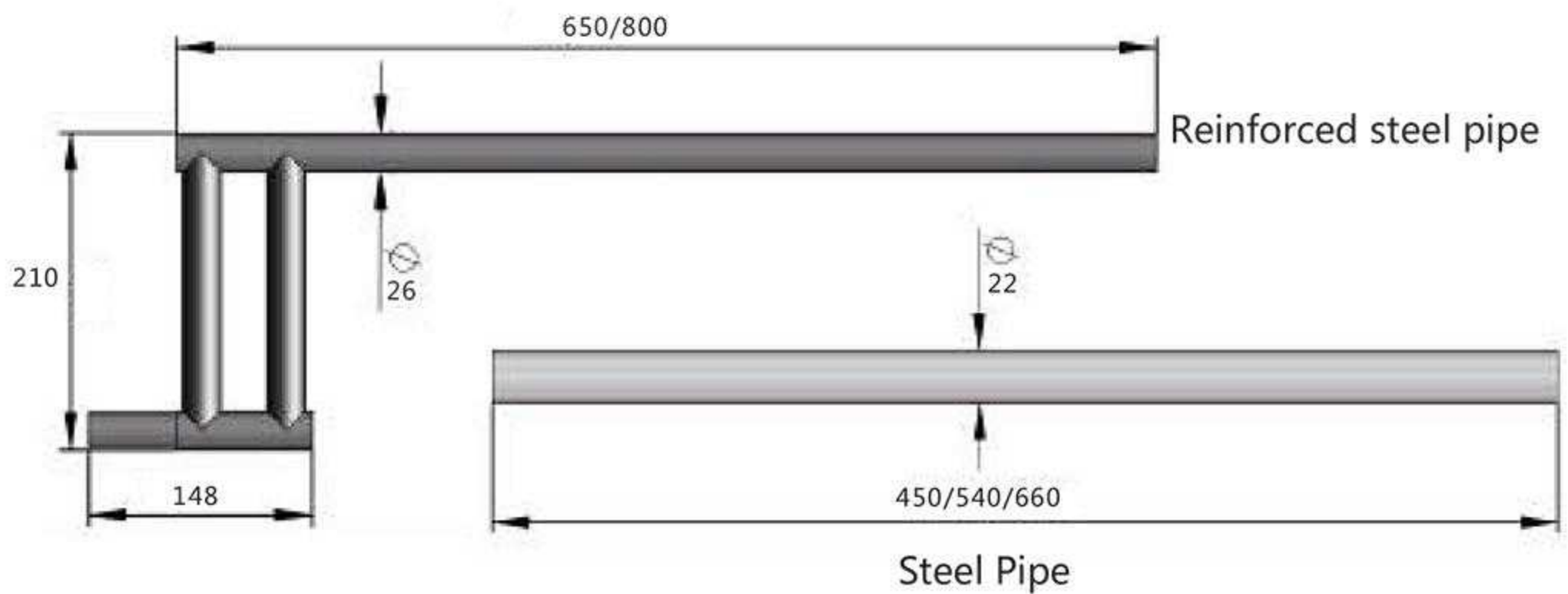
L2 bracket



L1 bracket

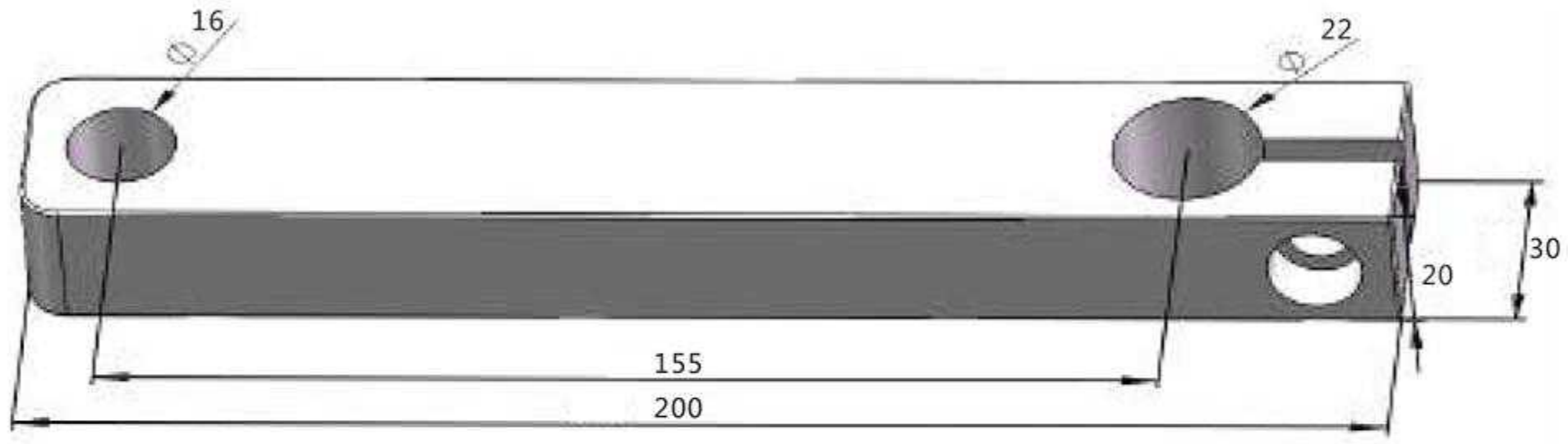


Cantilever base

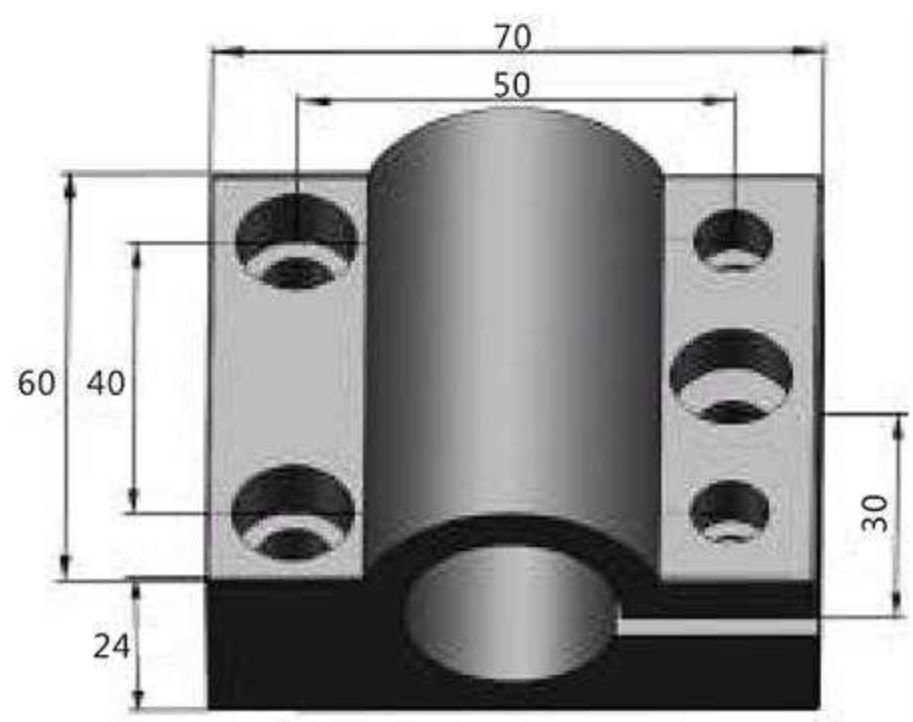


Reinforced steel pipe

Steel Pipe



cantilever



Reinforced base



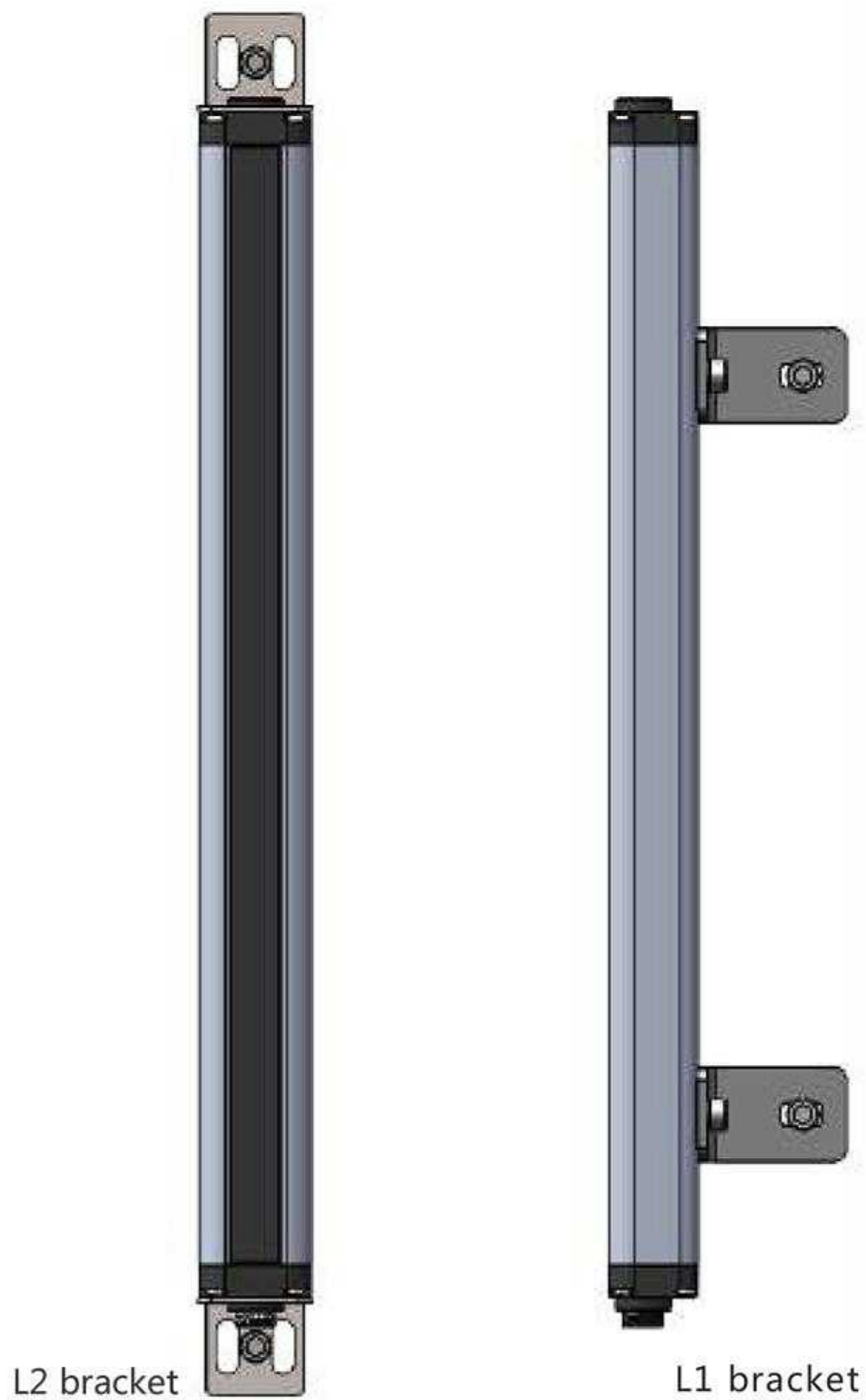
P-type controller



X-type controller

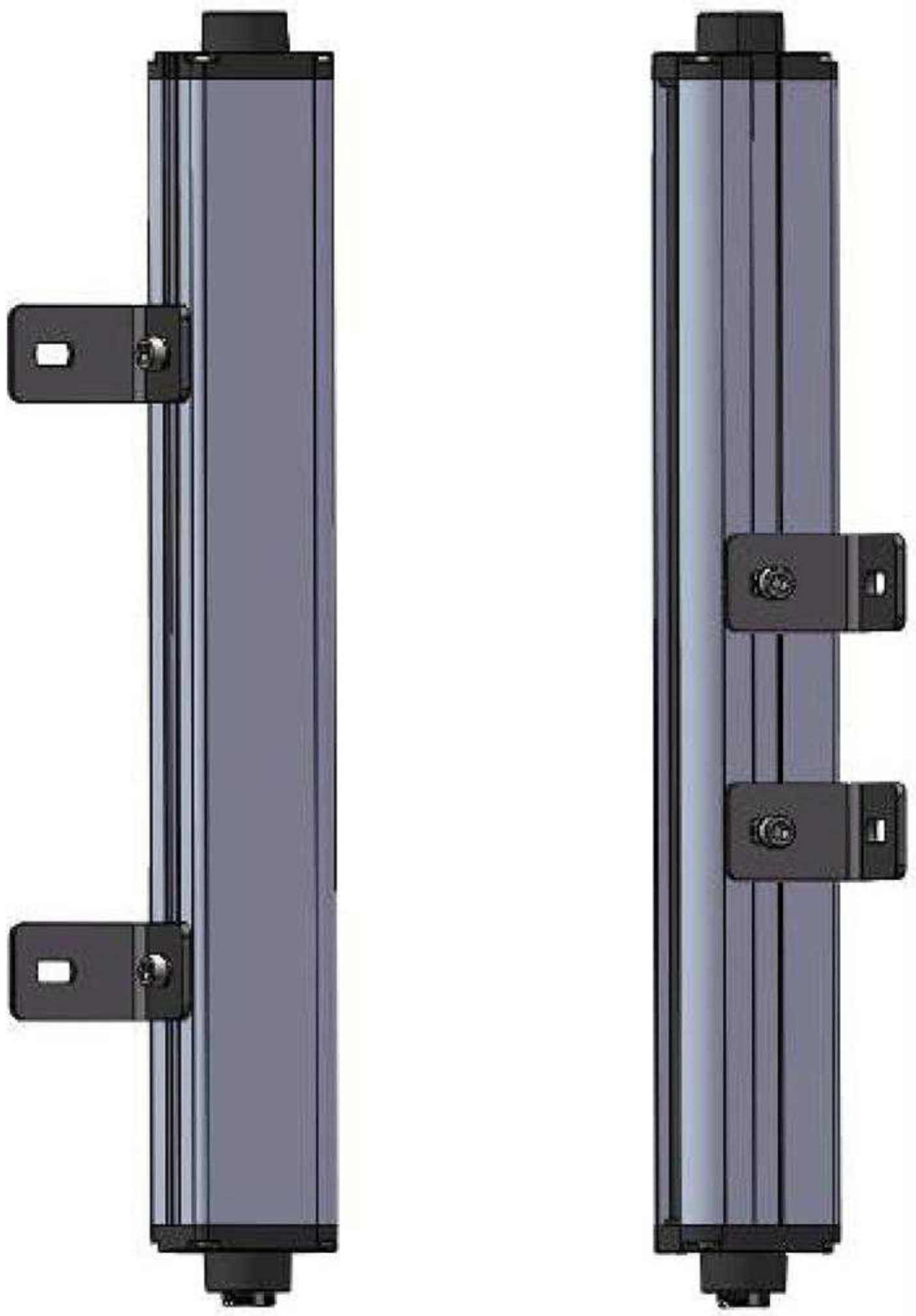


Q type controller

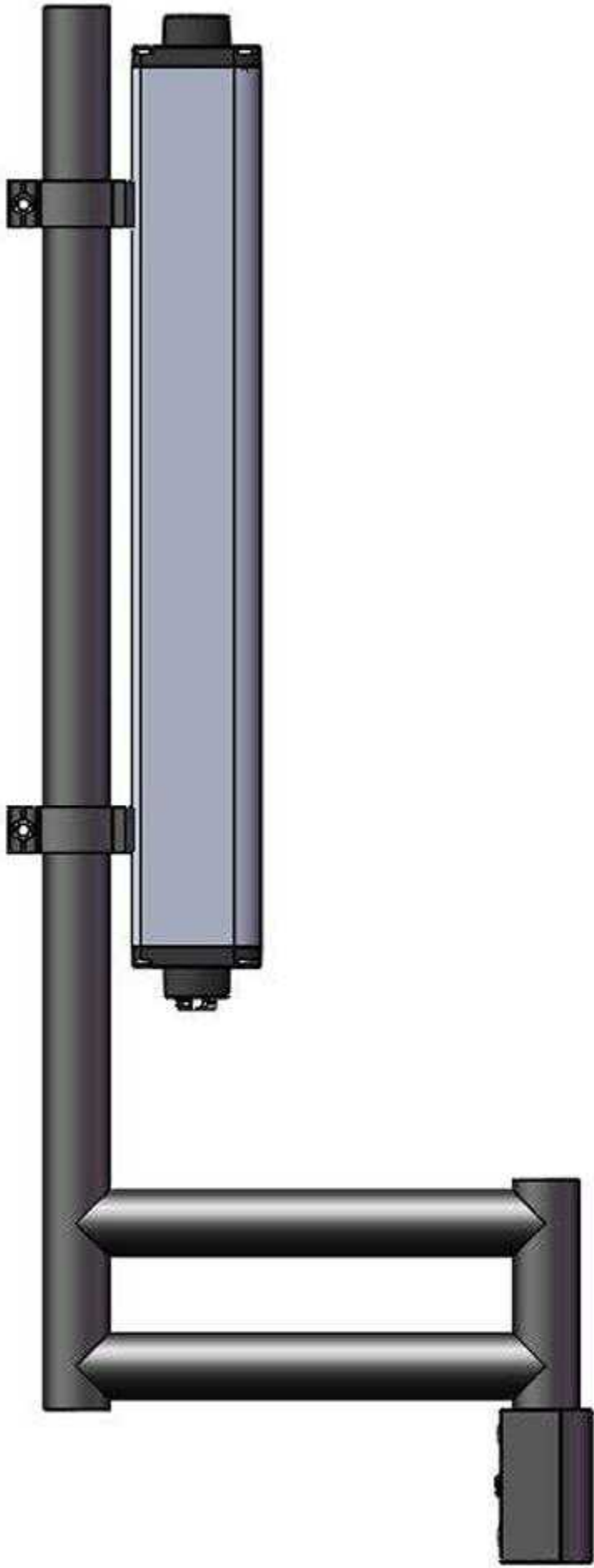
Installation method

YLG series (installation method)

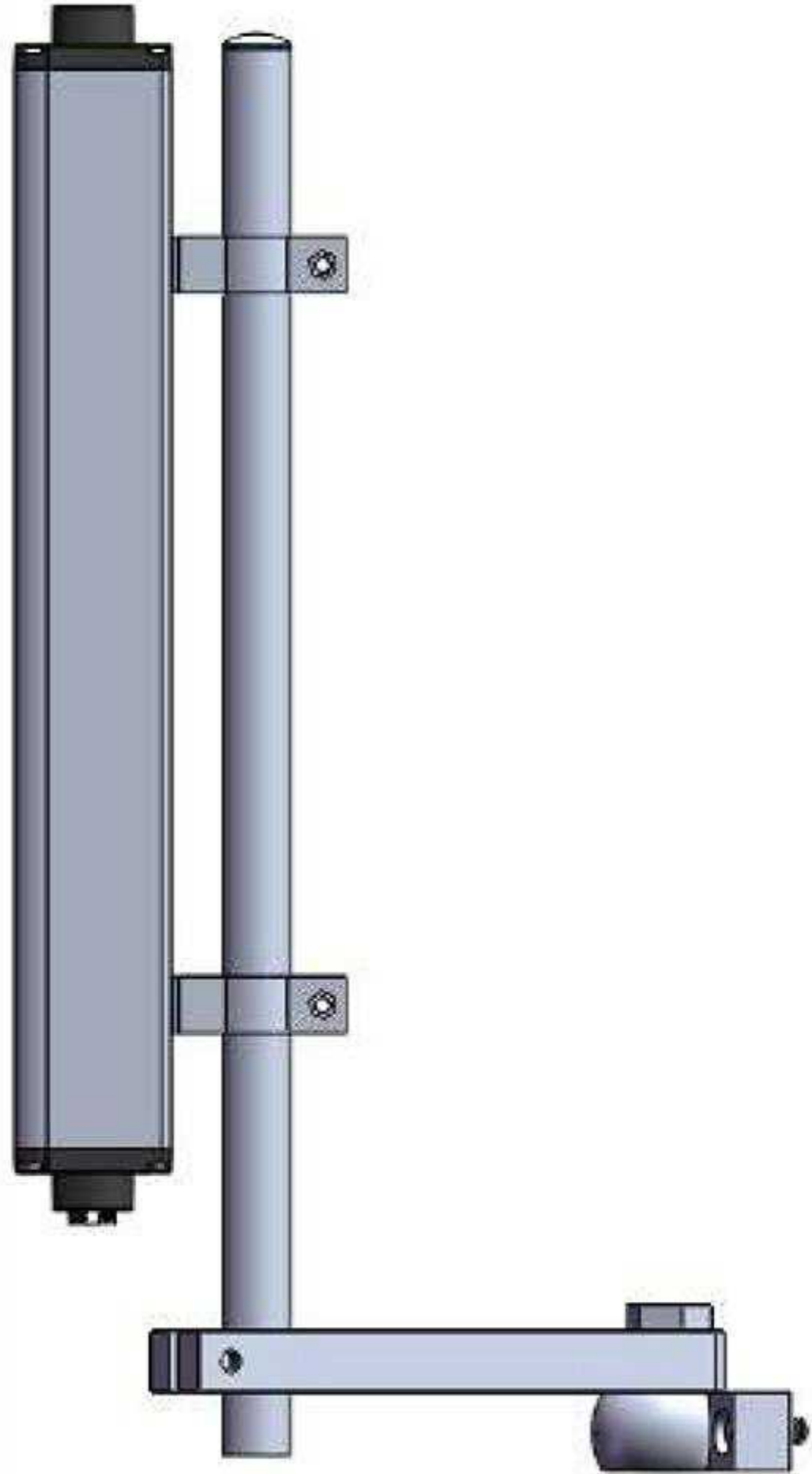
Installation method



YSN series (L1 type installation method)

Installation method

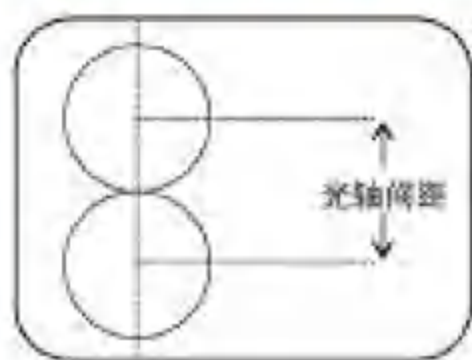
J-shaped reinforcement bracket

N-type aluminum cantilever bracket
(T-type iron cantilever)

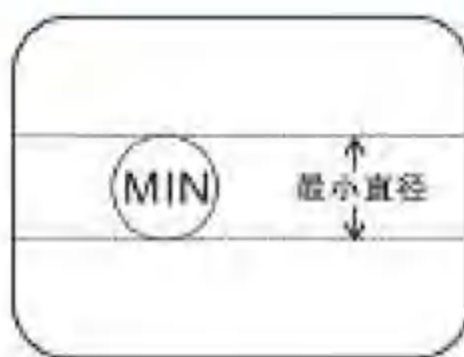
Safety light grid technology application instructions

Safety class grating definition		
level	European Standard Definition	technology used
Class B	The most basic technology is used in the design to ensure its reliability. If no safety technology is used, any failure will lead to the loss of the safety function.	not a safe product
Level 1	Use guaranteed safety devices and techniques to ensure product safety. Loss of safety functions is less likely than Class B. Safety performance depends on components and the safety principles used, reliable components and technologies.	Single loop without self-test
level 2	The safety requirements are met by means of periodic self-checks. A fault may result in the loss of the safety function, but it can be detected in the next duty cycle.	Periodic self-checking single loop
Level 3	Using guaranteed safety devices and techniques, a failure will not result in the loss of the safety function. However, the accumulation of faults may lead to the loss of safety functions.	No self-checking double loop
level 4	Using guaranteed safety devices and techniques, a failure will not result in the loss of the safety function. Safety features are always there.	Real-time self-checking double loop

Definition of optical axis spacing

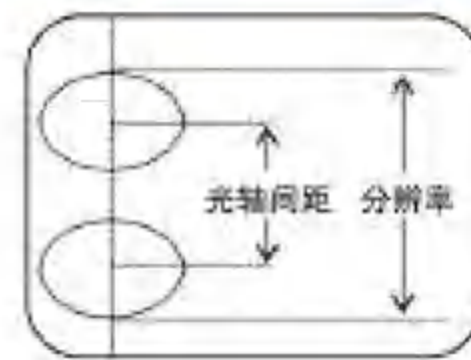


Optical axis spacing: refers to the distance between the center lines of two light spots.



The smallest object detected: refers to the smallest diameter object that blocks the position in the center of the light spot and can make the grating output signal.

Meaning of resolution



Resolution: refers to the minimum size of the object that the grating can reliably protect, and its size is the optical axis distance plus the width of a lens. Measurement method: use a cylindrical object with a diameter equal to the resolution, enter and move up and down at any position of the grating's opposite surface, and the grating should be kept in an interrupted state.

The use of optical axis spacing

Optical axis spacing (mm)	Minimum detectable diameter of opaque body(mm)	protected range
10mm	15mm	finger
20mm	25mm	hand
40mm	45mm	arm
80mm	85mm	human body

Selection of photoelectric protection

Selection of protection length:
The protection length can be selected according to the length of the machine table or the protection area.

Selection of protection height: The protection height of the machine tool should not be less than: the stroke of the machine tool slider + adjustment amount. For other machinery or dangerous areas, the photoelectric protection device of the corresponding specification should be selected according to the height of the area to be protected.

Choice of controller: You can choose an external controller or a built-in controller.

Dongguan city YiLing electronic technology co., LTD

Contact: 134-1679-4025 Mr. Yang

Q Q: 380954844

Email: 380954844@qq.com

Factory address: 3rd Floor, Building B, Xinrui Zhichuang Industrial Park,
Zhoutou North Road, Shijie Town, Dongguan City

Sales Center: No. 1D020, SEG Electronics Market, Gangbei Community,
Dongcheng District, Dongguan City

Website: www.dgylsensor.com



Wechat QR code